



Assembly video:
<https://q-ne.ws/20L9j9X>

ASSEMBLY GUIDE

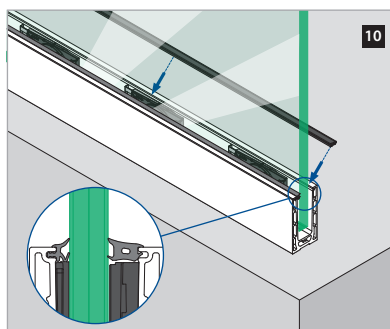
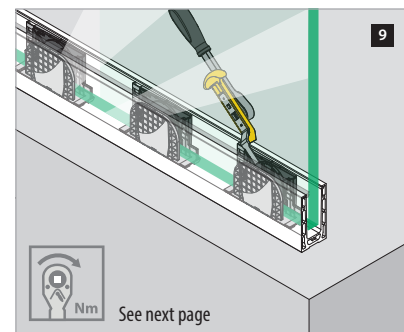
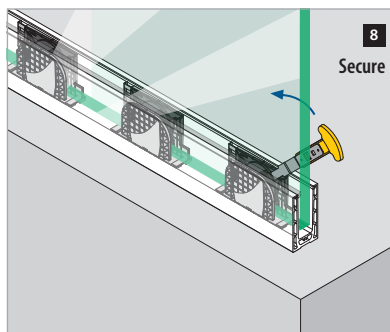
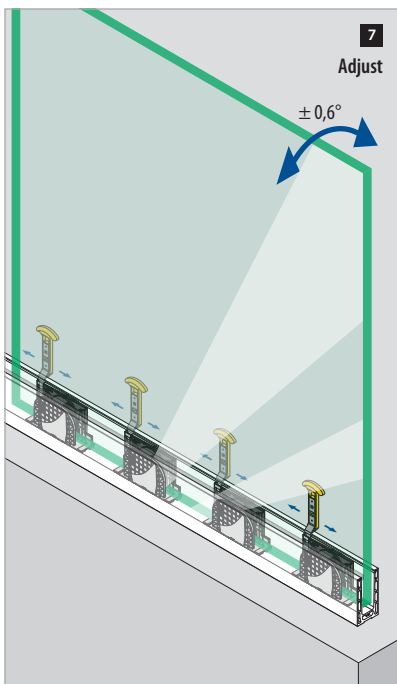
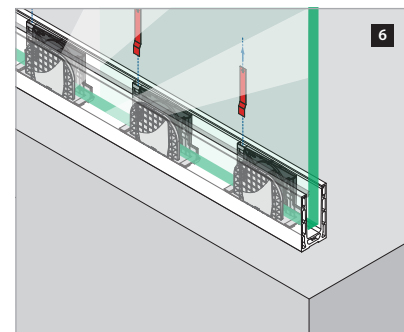
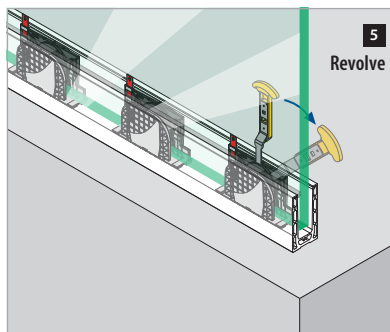
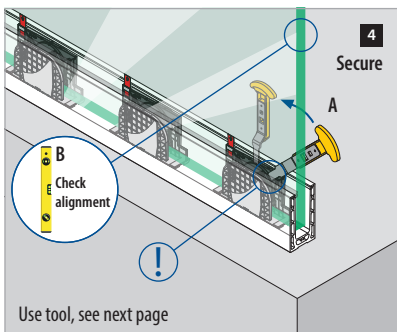
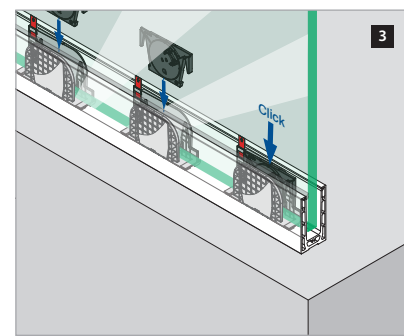
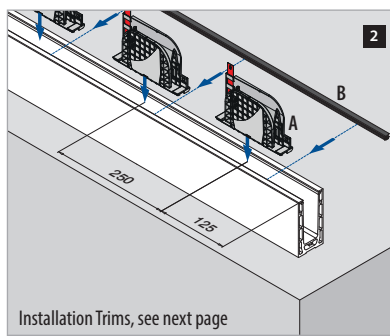
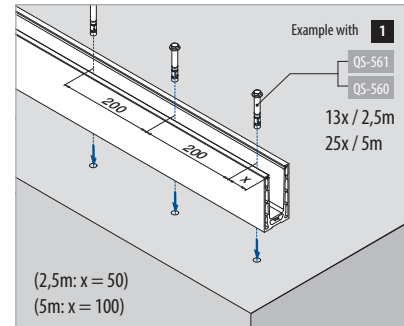
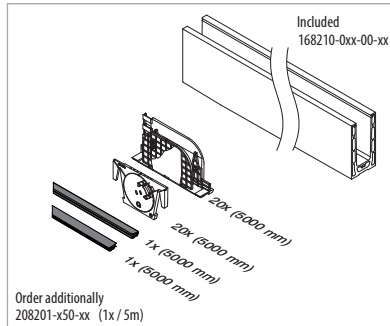
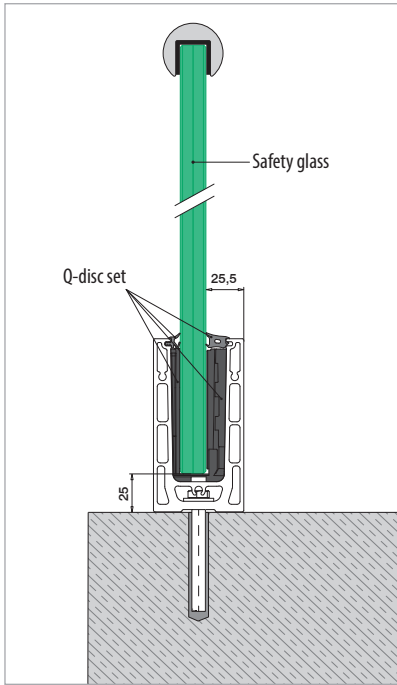
168210-0xx-00-xx

Railing base

EASY GLASS® SMART TOP - Base shoe, top mount

For adjustable glass fixation

Q-INFO MOD 8210



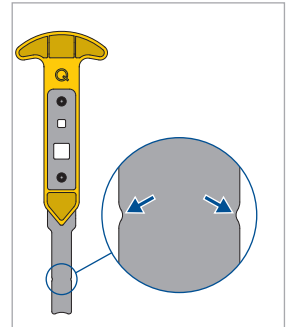
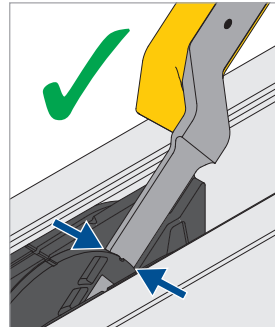
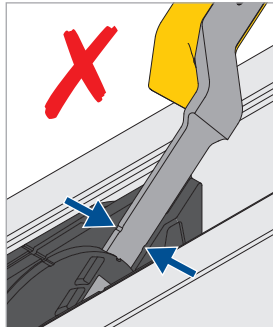
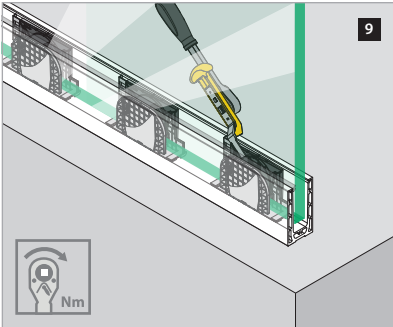


Q-disc® System

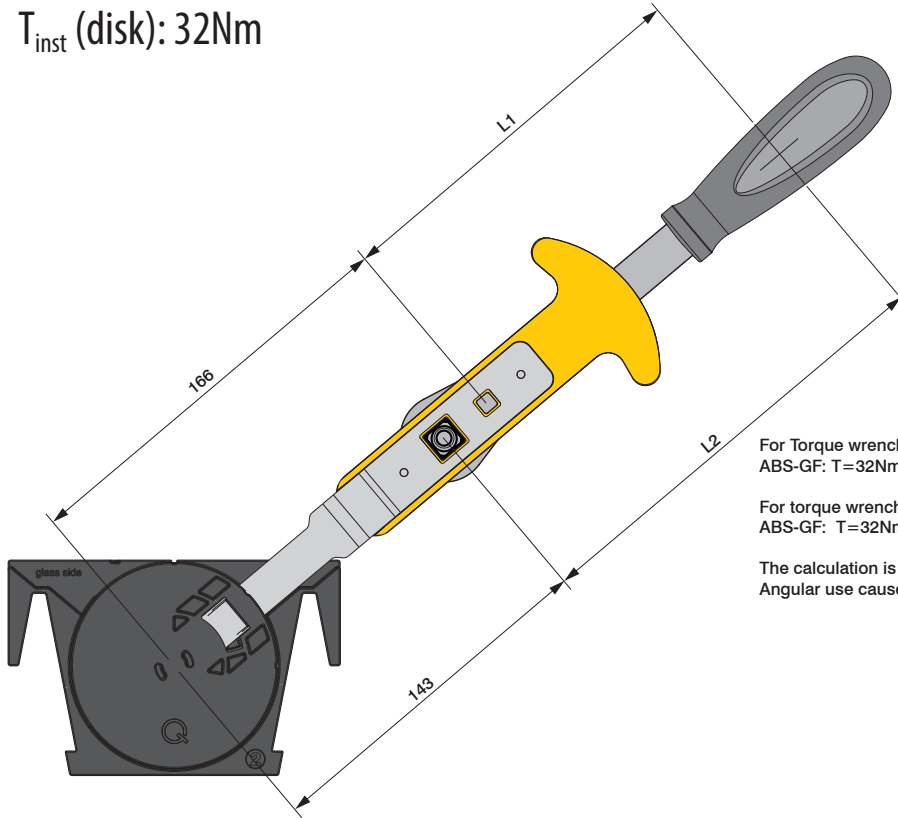
Q-disc and inlay tool

For adjustable glass fixation

Q-INFO MOD 8201 / 1000



T_{inst} (disk): 32Nm



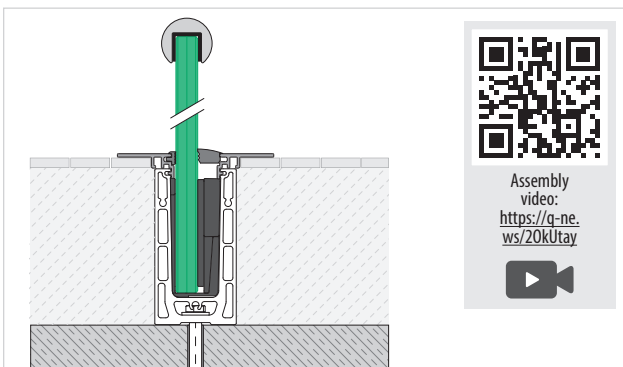
For Torque wrench 1/4":
ABS-GF: $T=32Nm \cdot L1 / (L1 + 166mm)$

For torque wrench 1/2":
ABS-GF: $T=32Nm \cdot L2 / (L2 + 143mm)$

The calculation is valid for straight-lined use.
Angular use causes different torque.

Railing base

EASY GLASS® SMART TOP - Trims, top mount





Assembly video:
<https://q-ne.ws/20L9j9X>

ASSEMBLY GUIDE

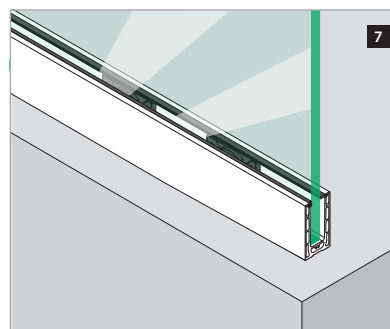
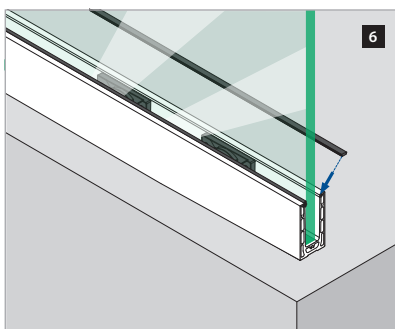
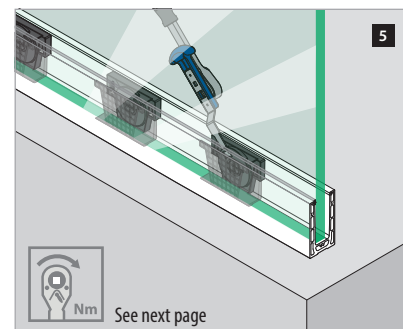
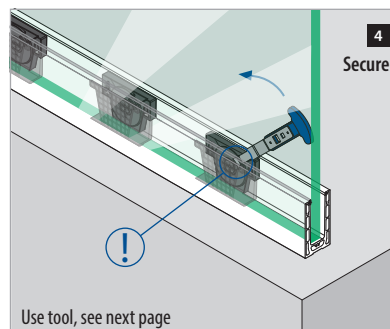
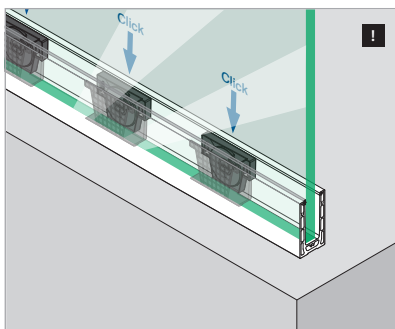
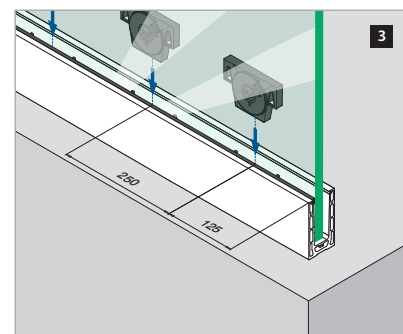
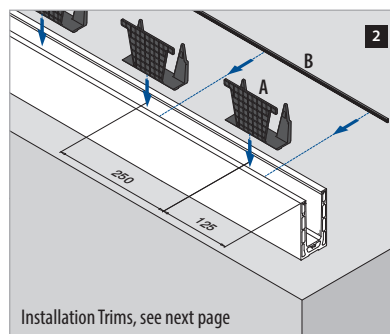
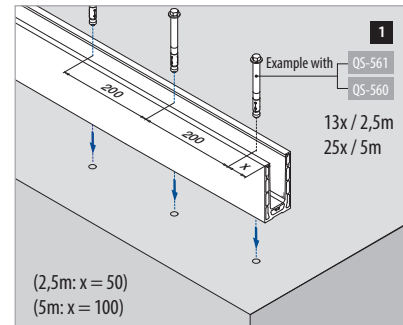
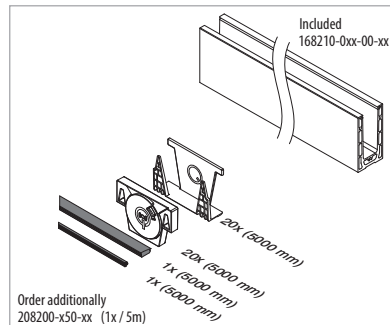
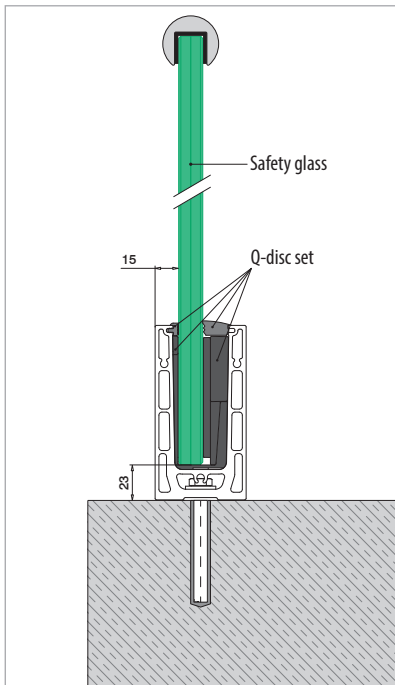
168210-0xx-00-xx

Railing base

EASY GLASS® SMART TOP - Base shoe, top mount

For non-adjustable glass fixation

Q-INFO MOD 8210



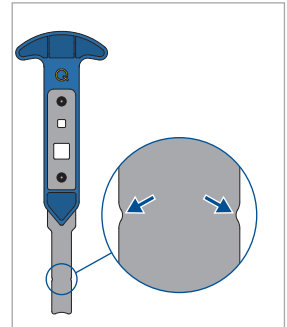
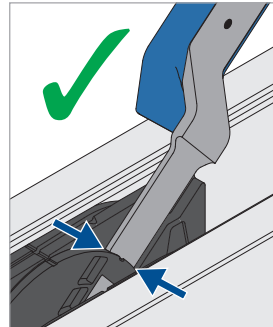
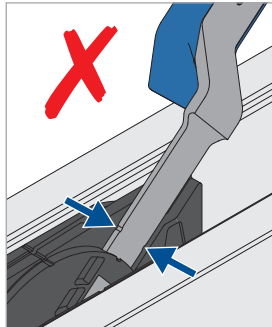
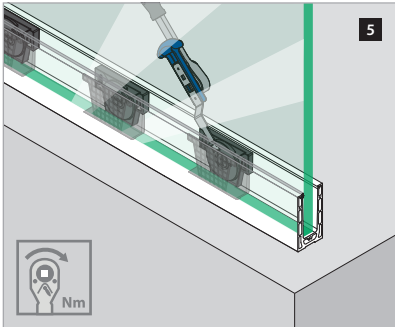


Q-disc® System

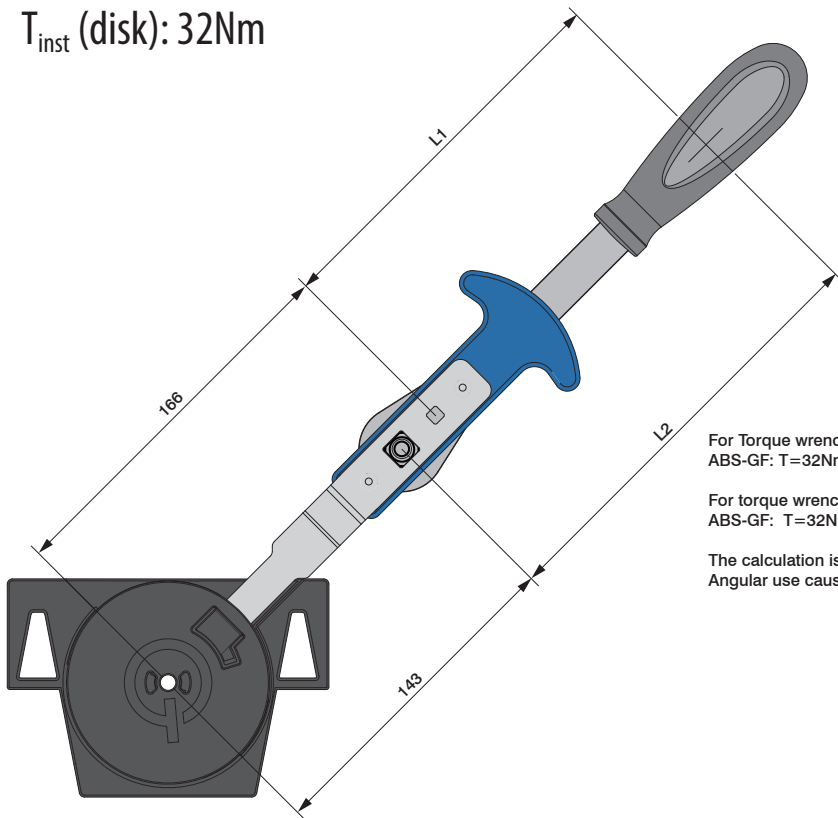
Q-disc and inlay tool

For non-adjustable glass fixation

Q-INFO MOD 8200 / 1009



T_{inst} (disk): 32Nm



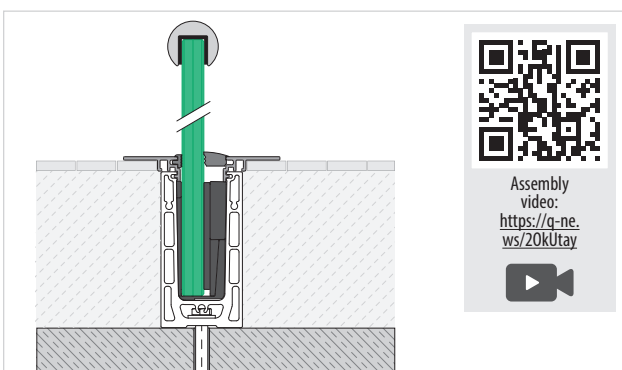
For Torque wrench 1/4":
ABS-GF: $T = 32Nm * L1 / (L1 + 166mm)$

For torque wrench 1/2":
ABS-GF: $T = 32Nm * L2 / (L2 + 143mm)$

The calculation is valid for straight-lined use.
Angular use causes different torque.

Railing base

EASY GLASS® SMART TOP - Trims, top mount



Assembly video:
<https://q-ne.ws/20kUtay>

