



Assembly video:  
<https://q-ne.ws/3esxSDy>

# ASSEMBLY GUIDE

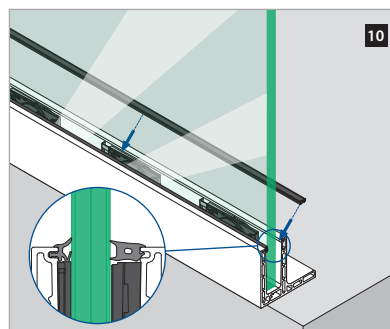
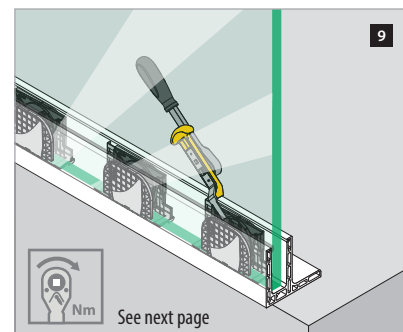
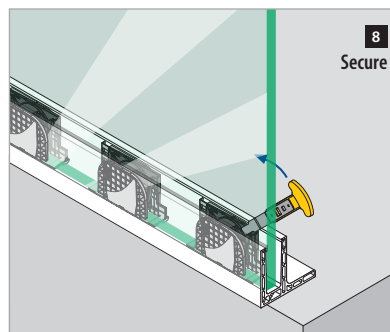
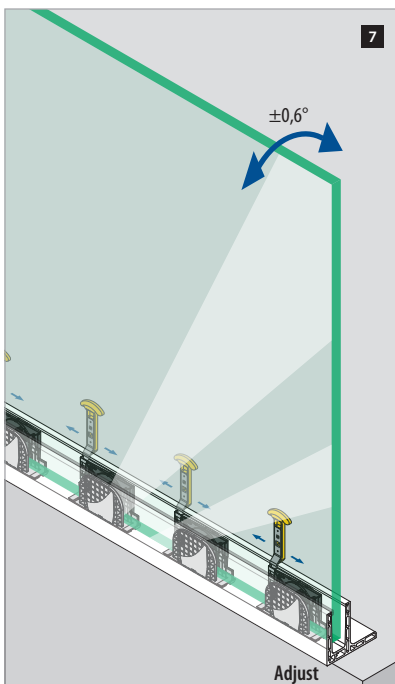
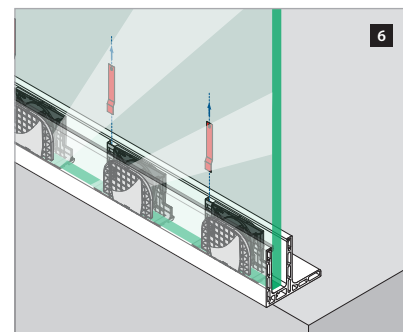
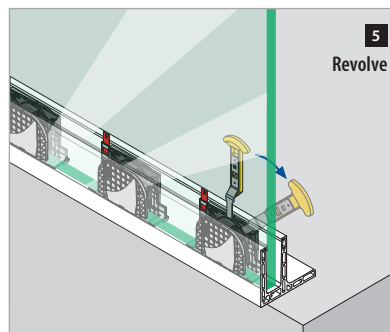
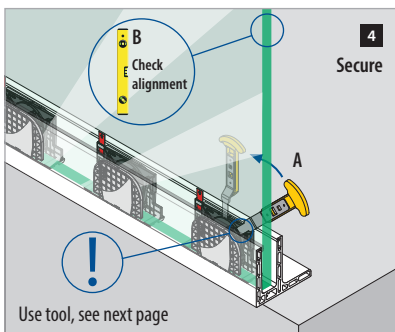
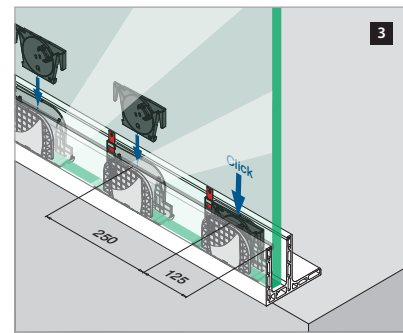
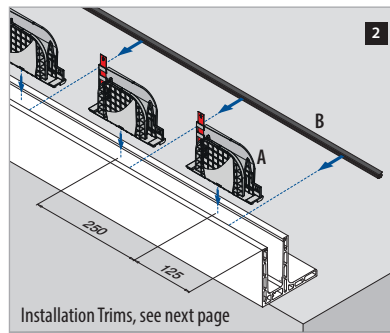
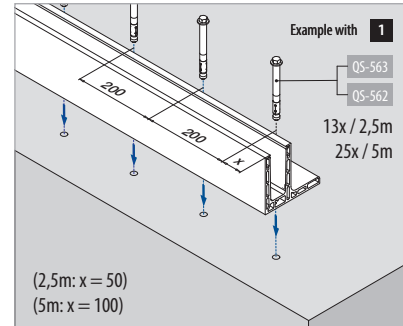
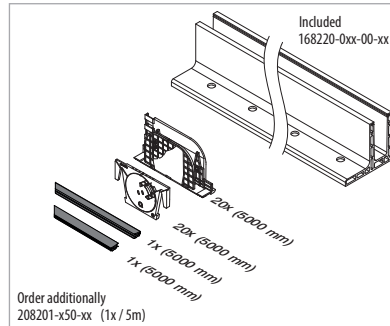
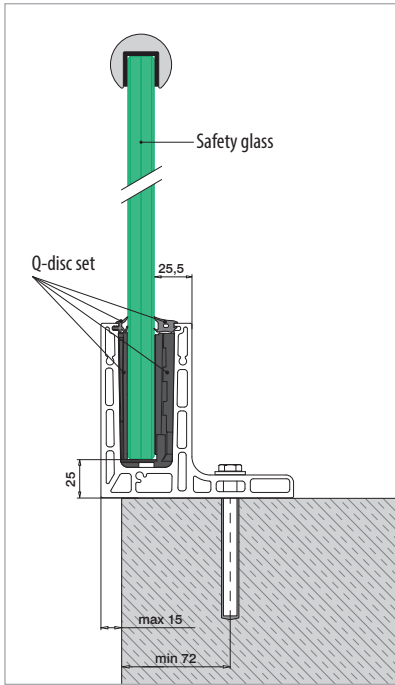
168220-0xx-00-xx

Railing base

EASY GLASS® SMART F - Base shoe, top mount

For adjustable glass fixation

Q-INFO MOD 8220



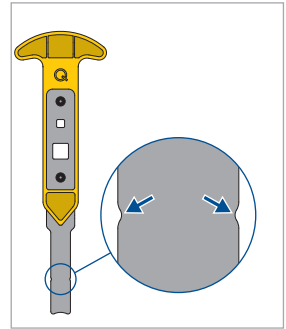
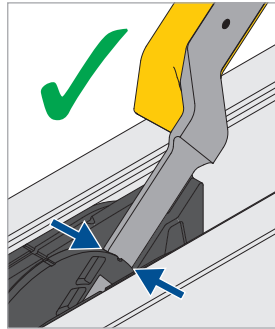
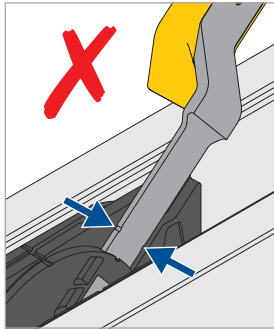
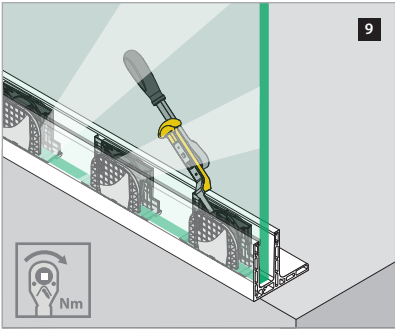


Q-disc® System

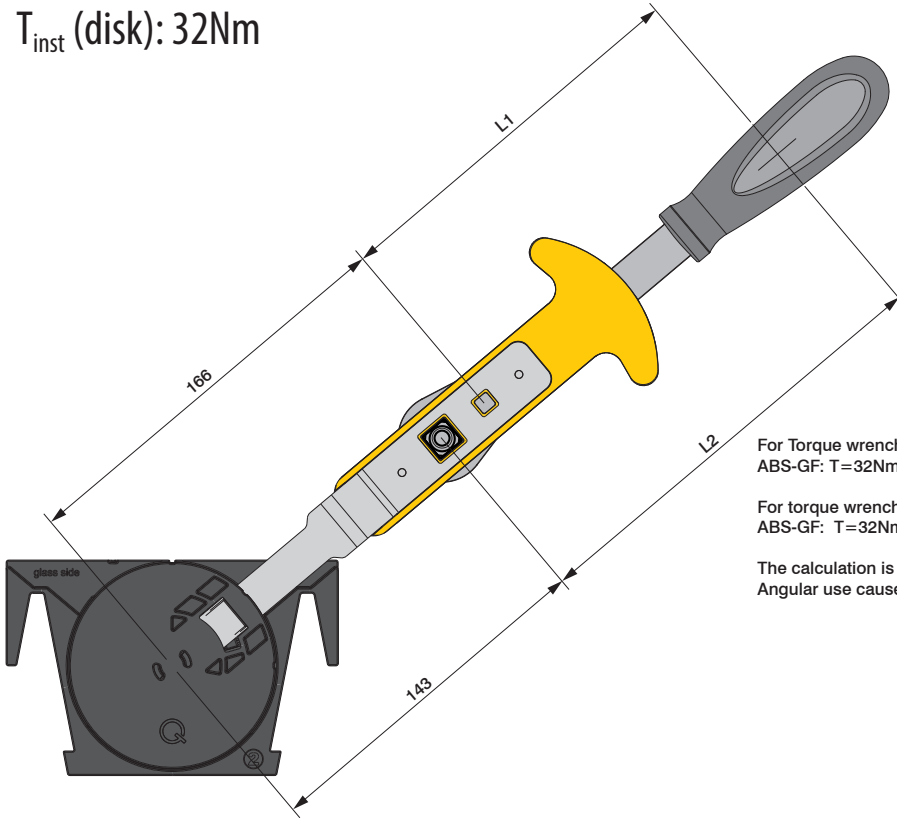
### Q-disc and inlay tool

For adjustable glass fixation

Q-INFO MOD 8201 / 1000



$T_{inst}$  (disk): 32Nm



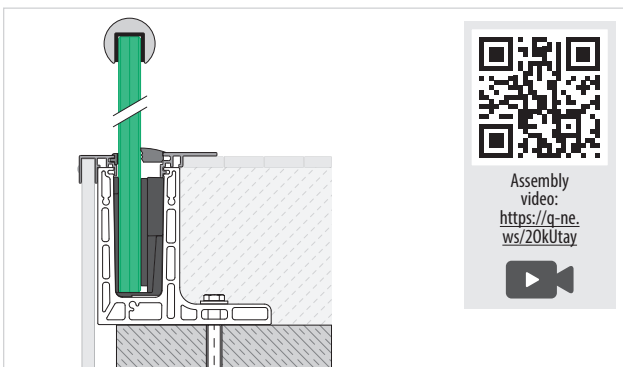
For Torque wrench 1/4":  
ABS-GF:  $T = 32Nm * L1 / (L1 + 166mm)$

For torque wrench 1/2":  
ABS-GF:  $T = 32Nm * L2 / (L2 + 143mm)$

The calculation is valid for straight-lined use.  
Angular use causes different torque.

Railing base

### EASY GLASS® SMART F - Trims, top mount



Assembly video:  
<https://q-ne.ws/20kUtay>





Assembly video:  
<https://q-ne.ws/3esxSDy>

# ASSEMBLY GUIDE

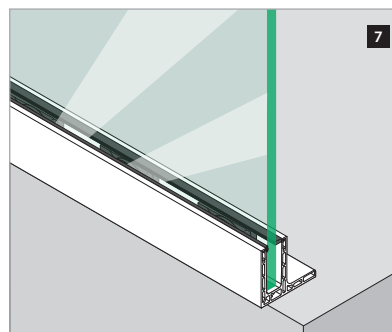
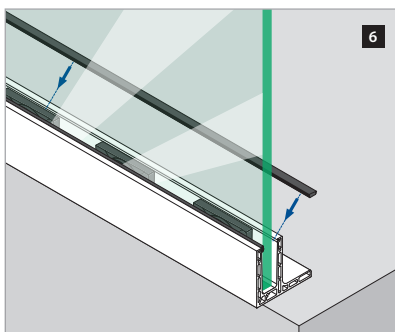
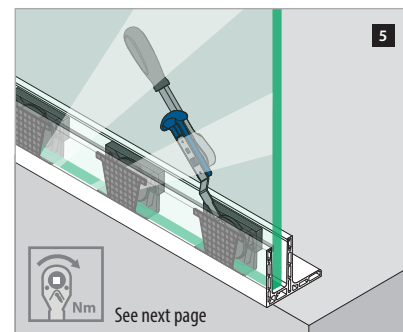
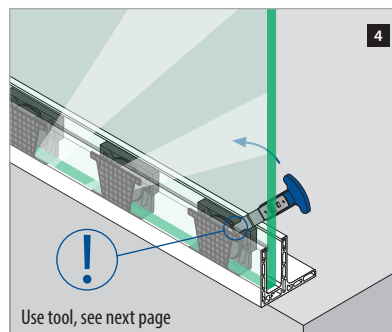
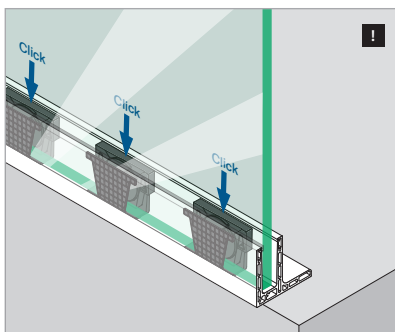
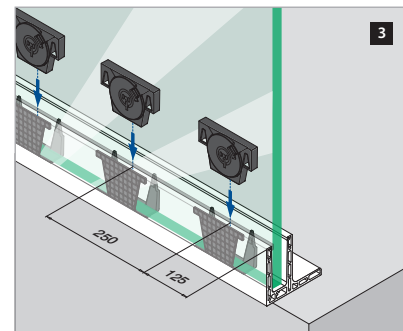
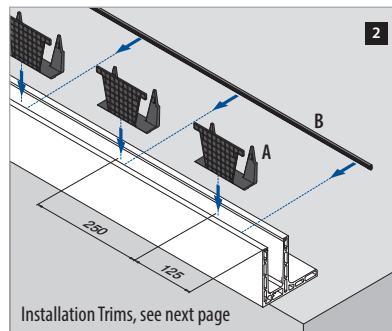
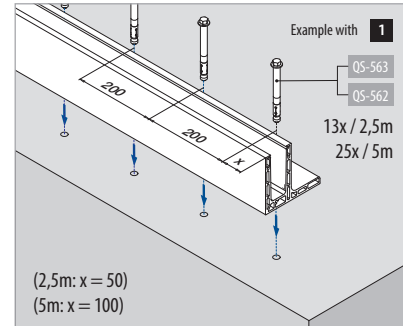
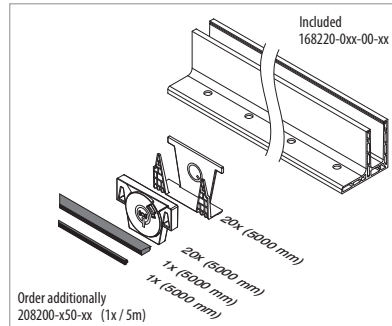
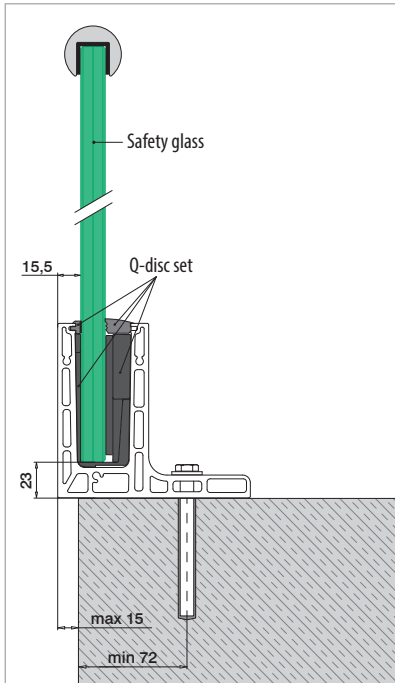
168220-0xx-00-xx

Railing base

EASY GLASS® SMART F - Base shoe, top mount

For non-adjustable glass fixation

Q-INFO MOD 8220



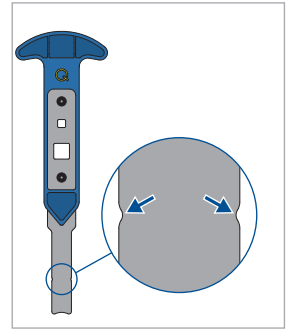
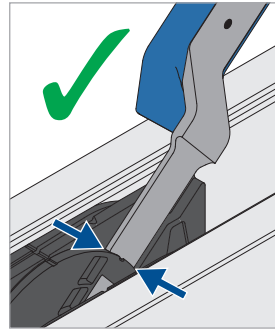
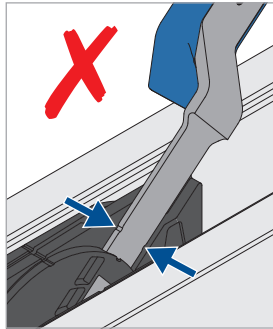
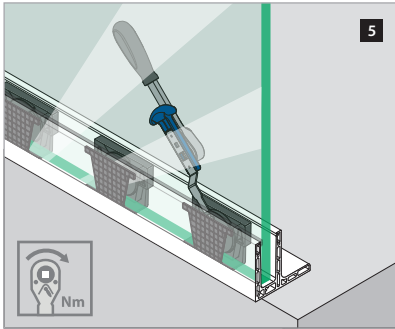


Q-disc® System

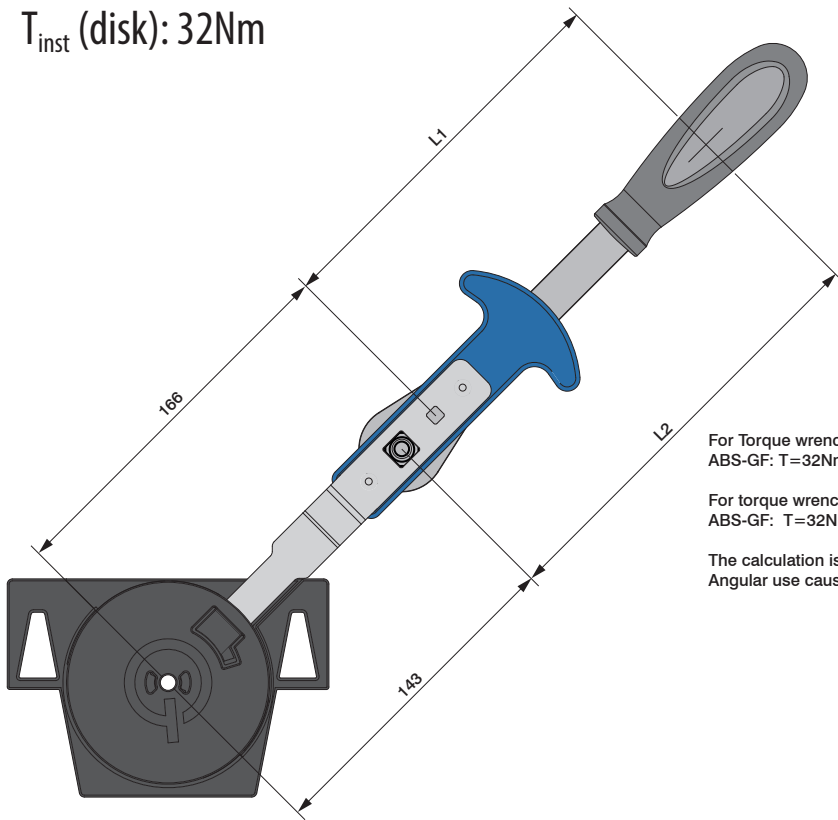
### Q-disc and inlay tool

For non-adjustable glass fixation

Q-INFO MOD 8200 / 1009



T<sub>inst</sub> (disk): 32Nm



For Torque wrench 1/4":  
ABS-GF:  $T = 32\text{Nm} * L1 / (L1 + 166\text{mm})$

For torque wrench 1/2":  
ABS-GF:  $T = 32\text{Nm} * L2 / (L2 + 143\text{mm})$

The calculation is valid for straight-lined use.  
Angular use causes different torque.

Railing base

### EASY GLASS® SMART F - Trims, top mount

