



Assembly video:  
<https://q-ne.ws/3vc3jbb>

# ASSEMBLY GUIDE

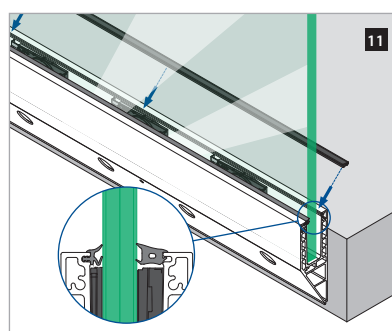
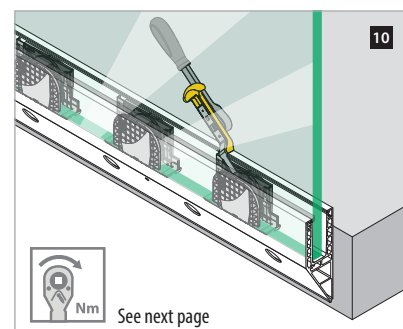
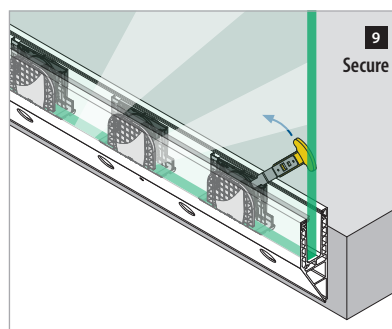
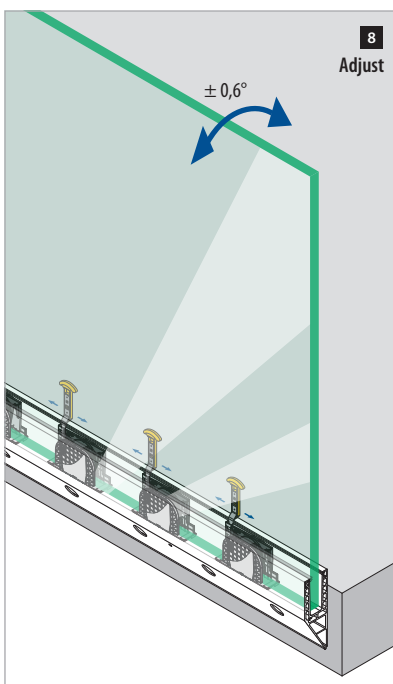
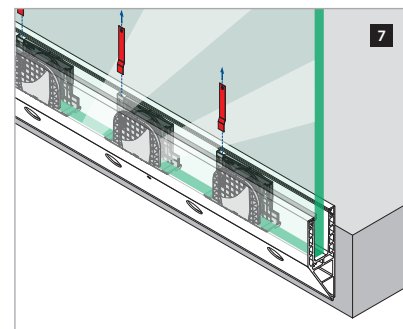
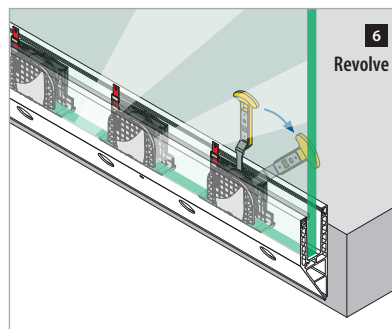
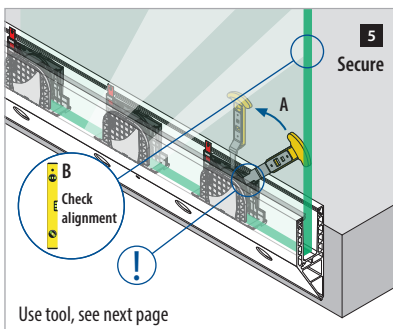
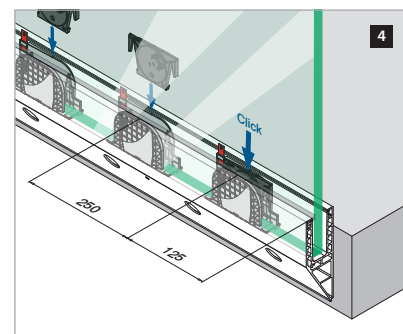
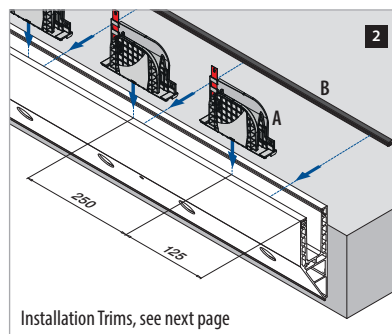
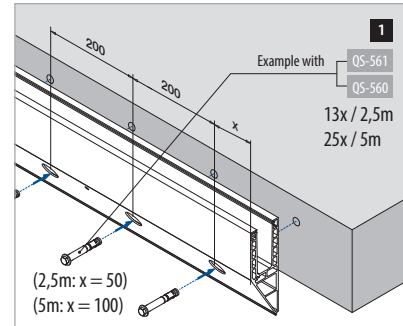
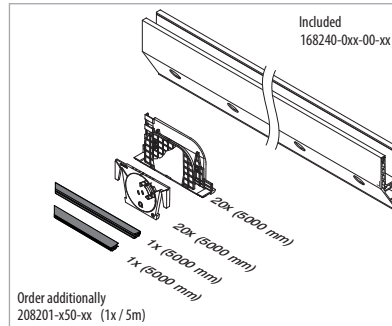
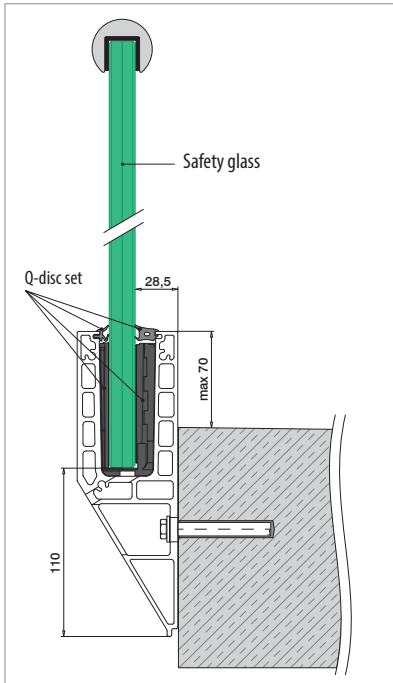
168240-0xx-00-xx

Railing base

EASY GLASS® SMARTY - Base shoe, fascia mount

For adjustable glass fixation

Q-INFO MOD 8240



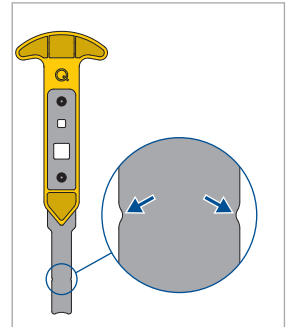
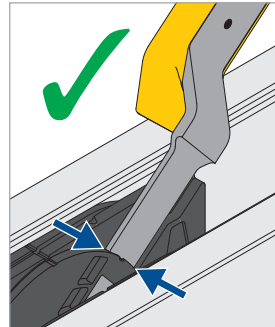
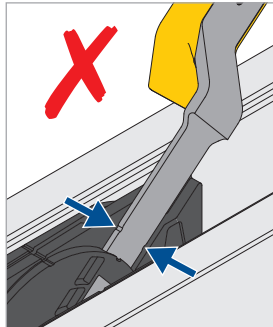
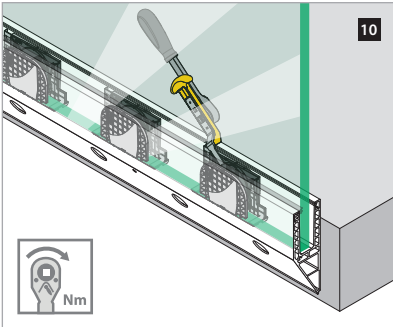


Q-disc® System

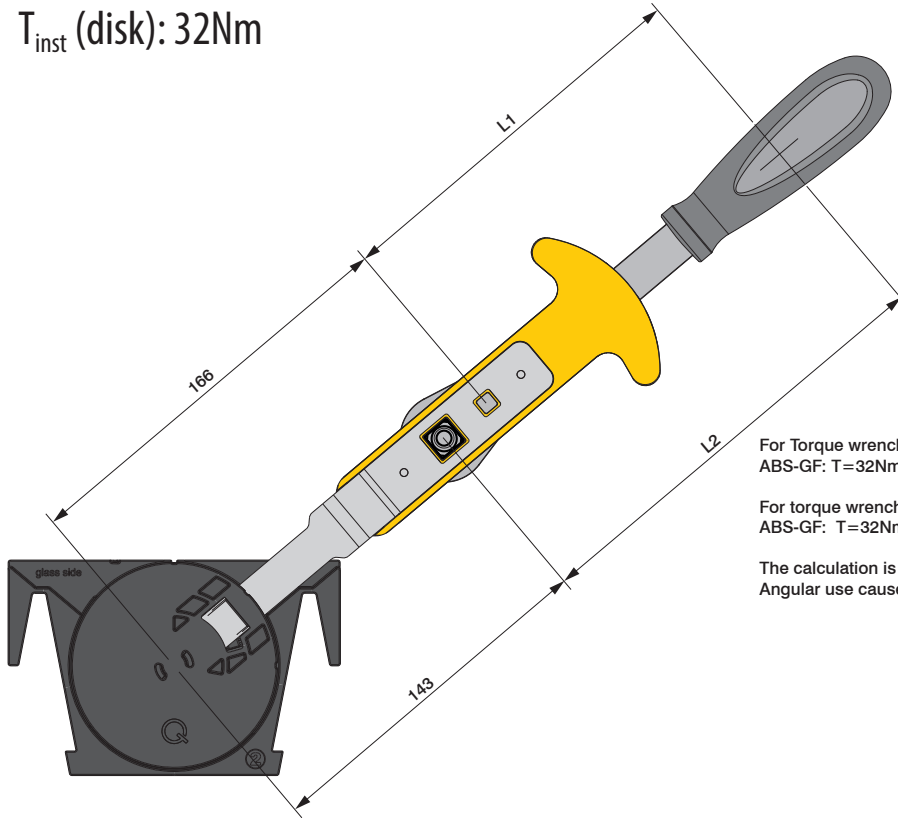
### Q-disc and inlay tool

For adjustable glass fixation

Q-INFO MOD 8201 / 1000



$T_{inst}$  (disk): 32Nm



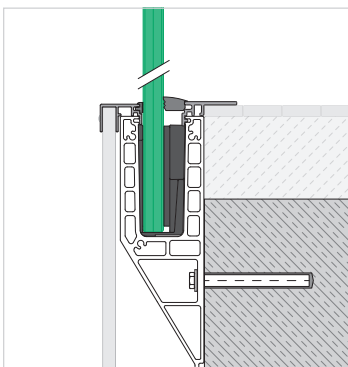
For Torque wrench 1/4":  
ABS-GF:  $T=32Nm * L1 / (L1 + 166mm)$

For torque wrench 1/2":  
ABS-GF:  $T=32Nm * L2 / (L2 + 143mm)$

The calculation is valid for straight-lined use.  
Angular use causes different torque.

Railing base

### EASY GLASS® SMART Y - Trims, fascia mount



Assembly video:  
<https://q-ne.ws/20kUtay>





Assembly video:  
<https://q-ne.ws/3vc3jbb>

# ASSEMBLY GUIDE

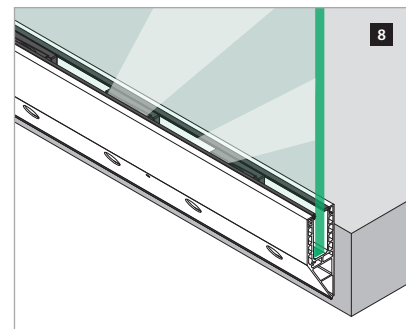
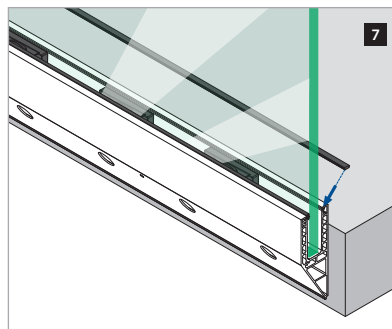
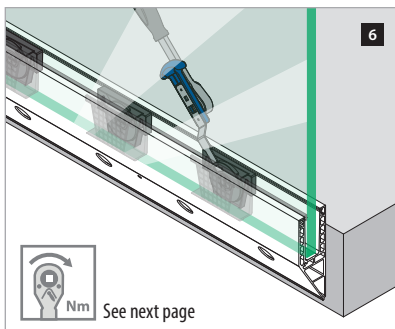
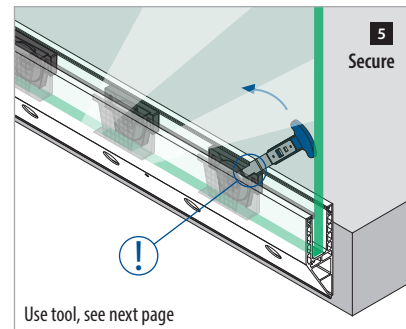
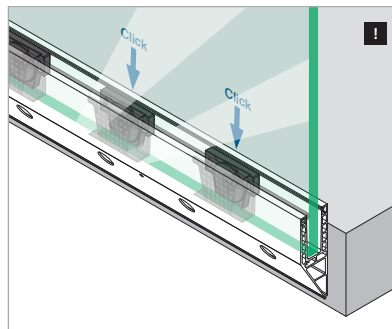
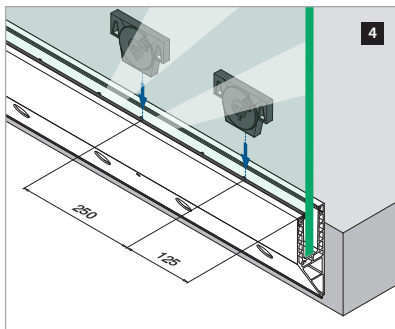
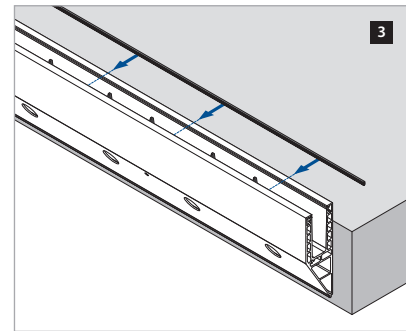
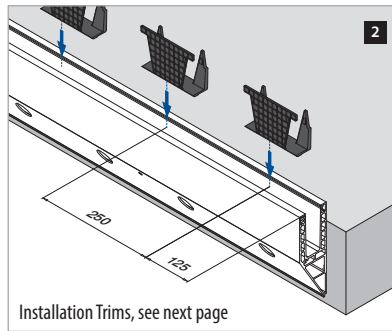
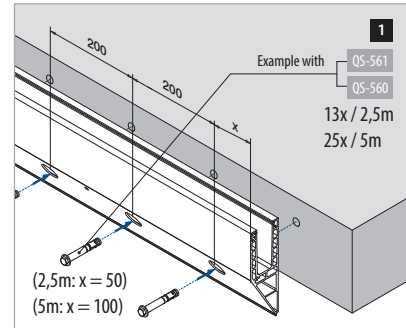
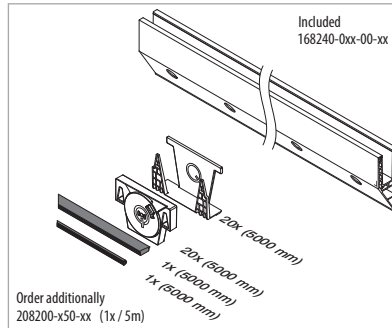
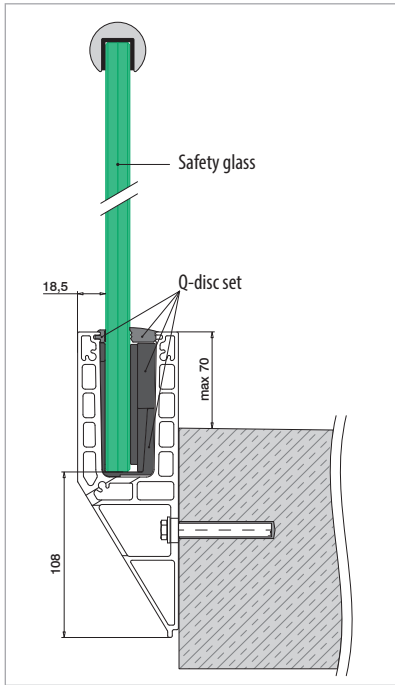
168240-0xx-00-xx

Railing base

EASY GLASS® SMARTY - Base shoe, fascia mount

For non-adjustable glass fixation

Q-INFO MOD 8240



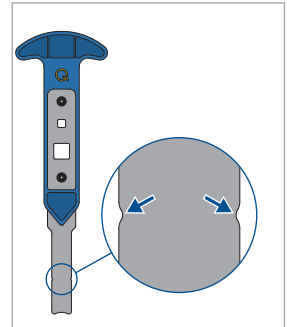
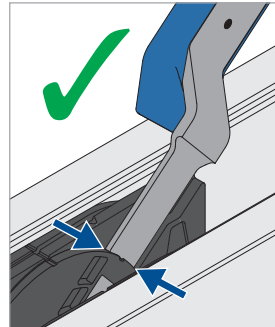
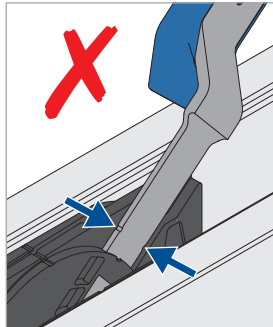
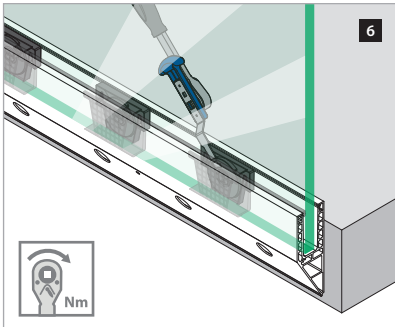


Q-disc® System

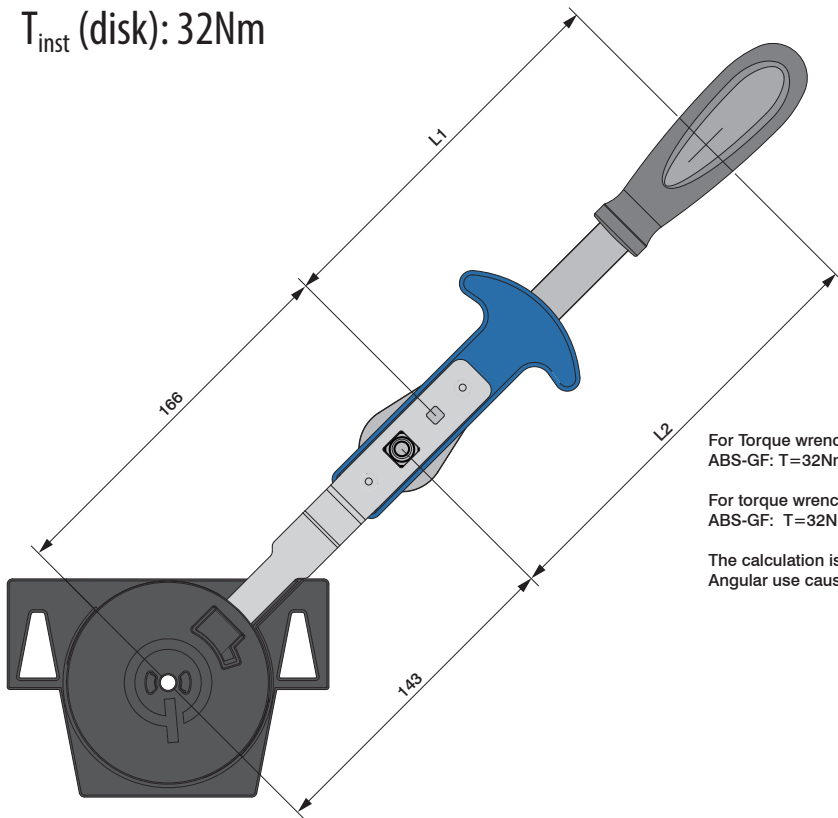
### Q-disc and inlay tool

For non-adjustable glass fixation

Q-INFO MOD 8200 / 1009



$T_{inst}$  (disk): 32Nm



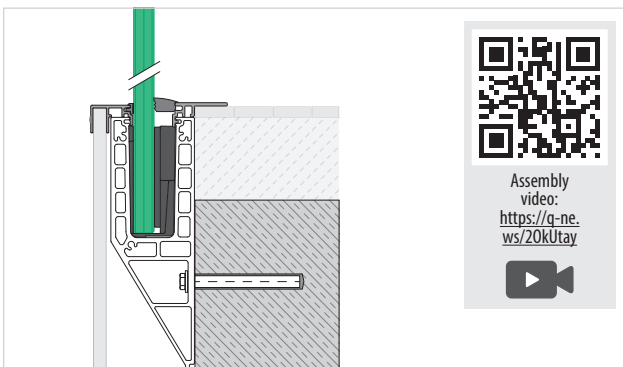
For Torque wrench 1/4":  
ABS-GF:  $T = 32Nm * L1 / (L1 + 166mm)$

For torque wrench 1/2":  
ABS-GF:  $T = 32Nm * L2 / (L2 + 143mm)$

The calculation is valid for straight-lined use.  
Angular use causes different torque.

Railing base

### EASY GLASS® SMART Y - Trims, fascia mount



Assembly video:  
<https://q-ne.ws/20kUtay>

