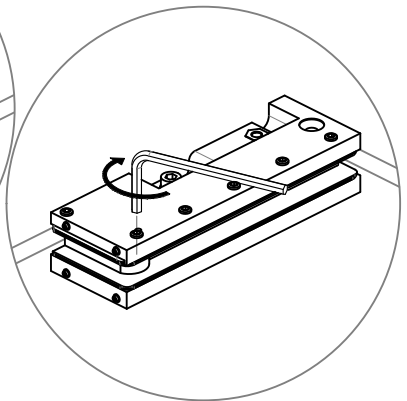
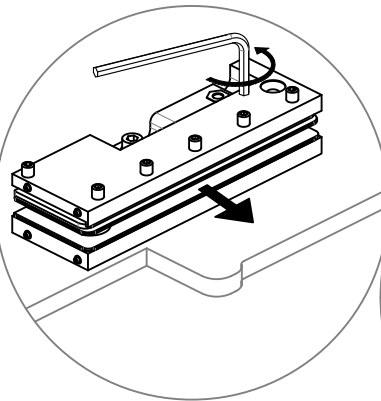
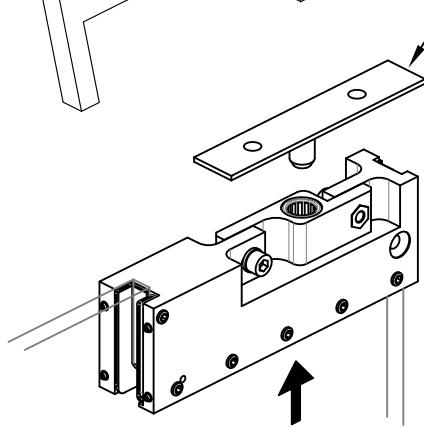


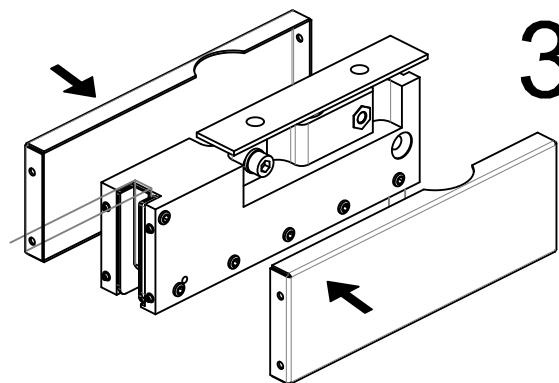
1



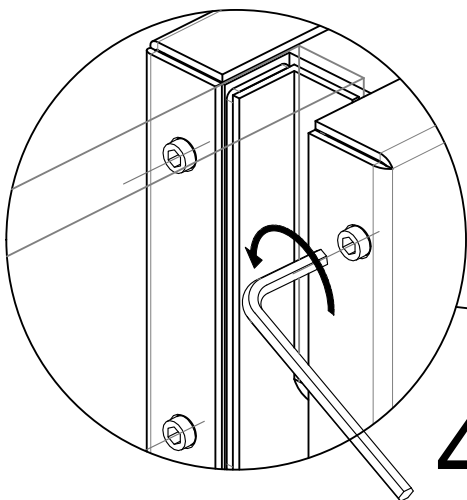
1027 optional



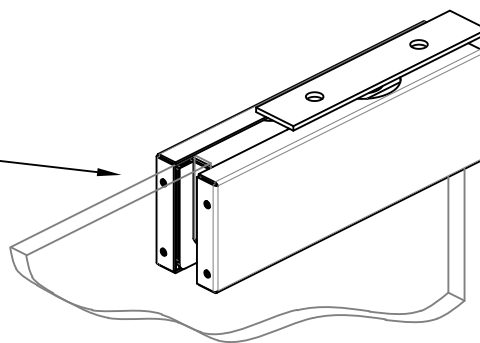
2



3



4



Seals installation

