

UNICA SLIM

106E10 - 106E20/27

<p>106E10</p>	<p>106E20/27</p>	<p>106E20</p> <p>106E10</p>	<p>8-10</p> <p>12</p> <p>13.52</p> <p>GLASS</p>	<p>Tools required</p>
		<p>8</p>	<p>10+13.52</p>	

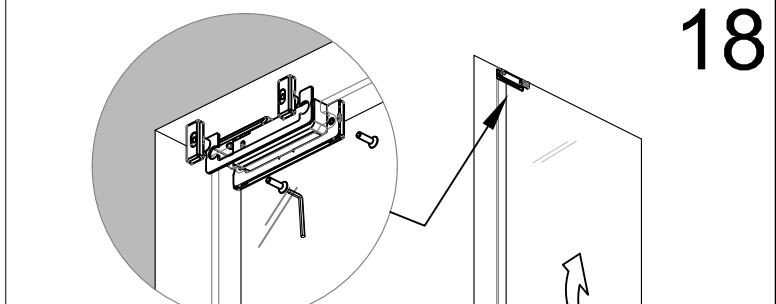
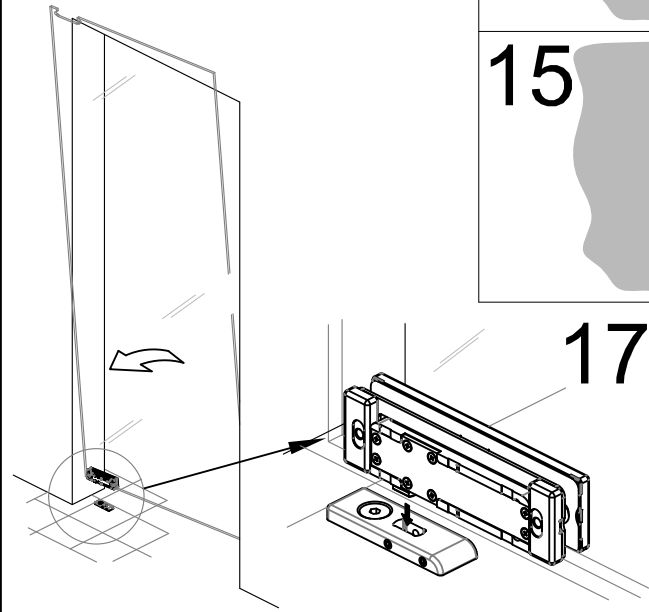
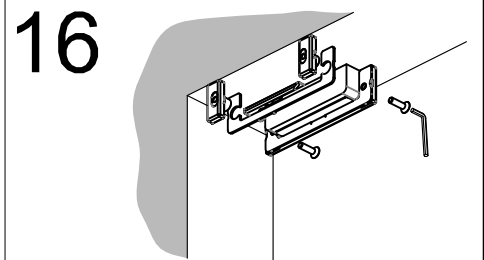
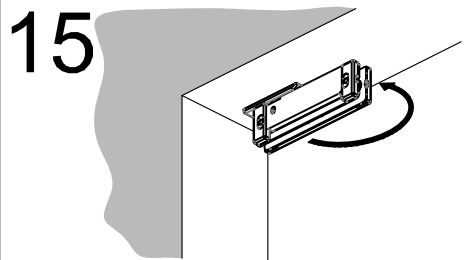
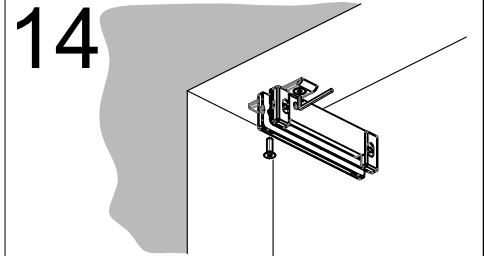
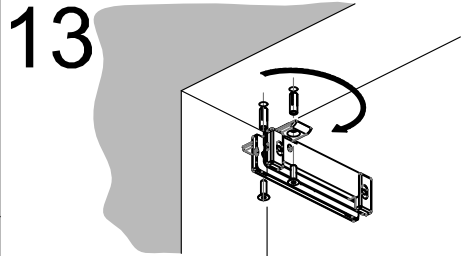
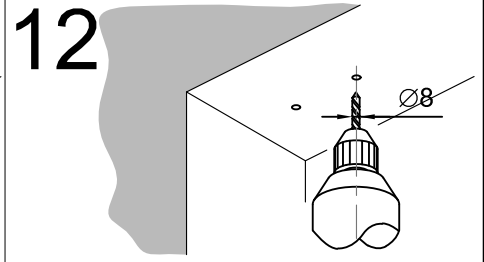
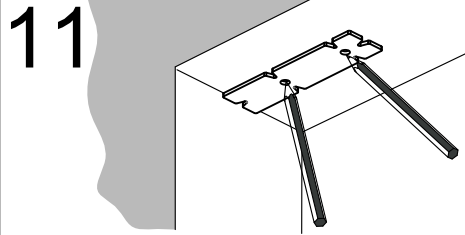
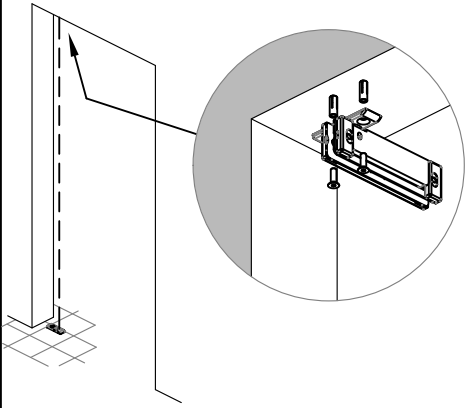
SEALS

<p>FLOOR BASE PLATE</p>	<p>FLOOR BASE PLATE FIXING</p>	<p>1</p> <p>2</p>
<p>3</p> <p>Ø8</p>	<p>4</p>	<p>5</p> <p>Ø10</p>
<p>6</p>	<p>7</p>	<p>10</p> <p>106E10</p>
<p>8</p>	<p>9</p>	

UNICA SLIM

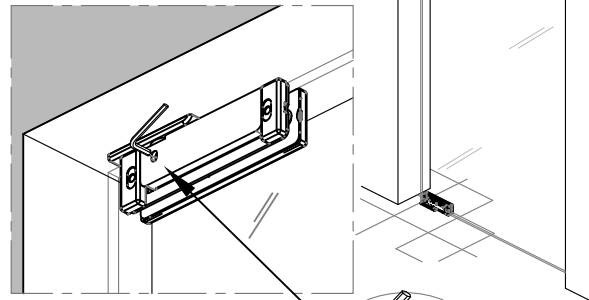
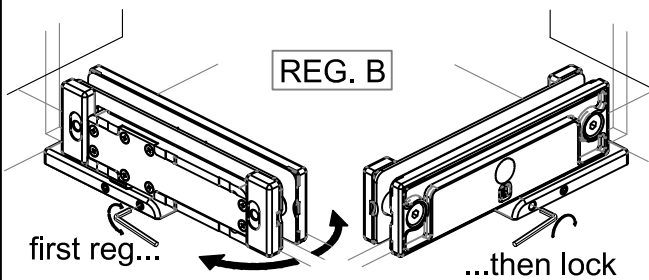
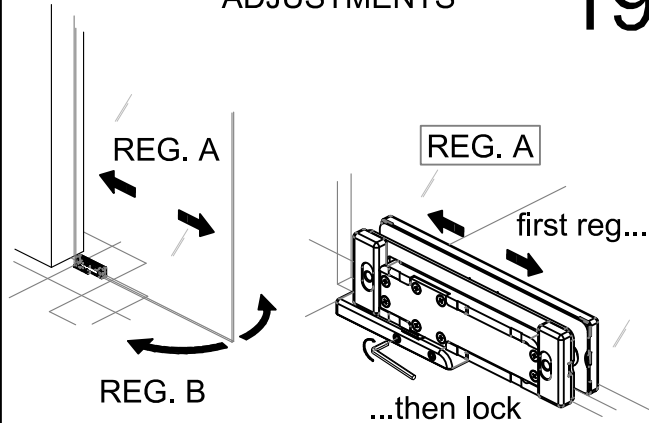
106E10 - 106E20/27

TOP HINGE FIXING



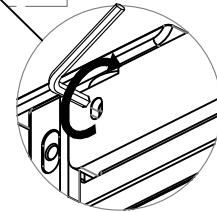
ADJUSTMENTS

19



Rotate to slow the closing speed

MAX TWO TURNS
MASSIMO 2 GIRI



COVER

20

