

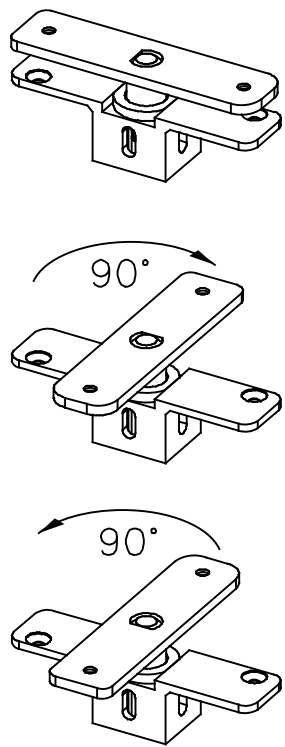
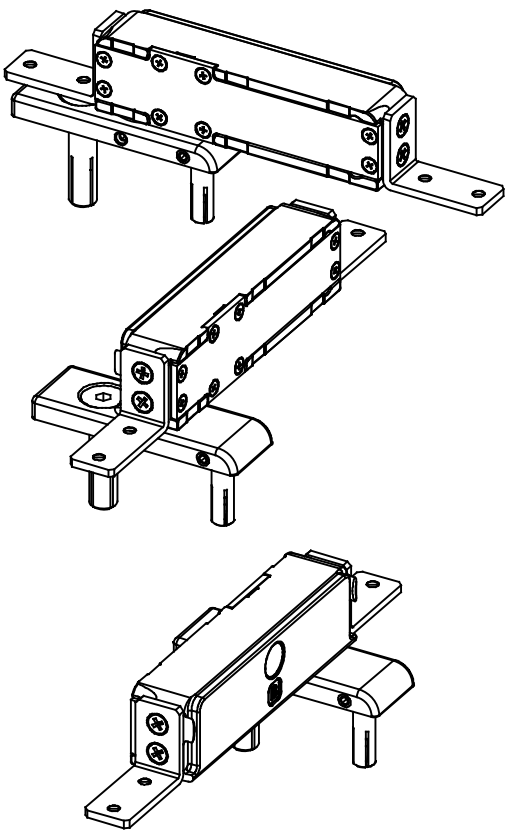
SLIM WOOD

107E40 - 107E42/47

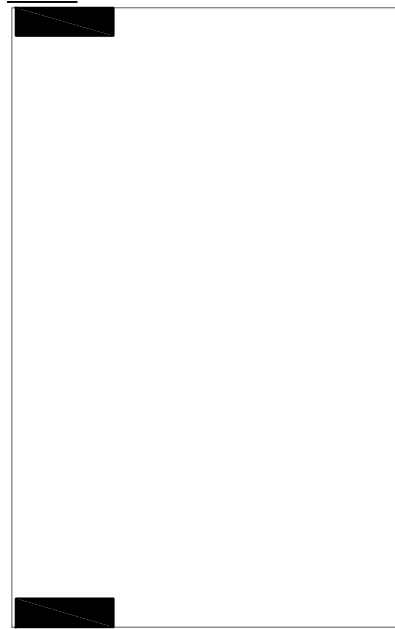
107E40

107E42/47

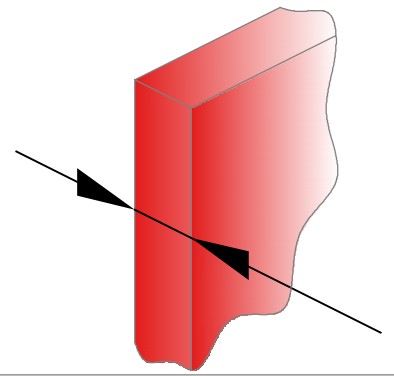
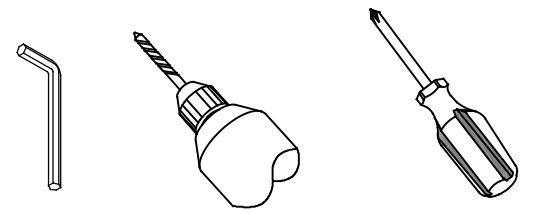
Tools required



107E42/47



107E40

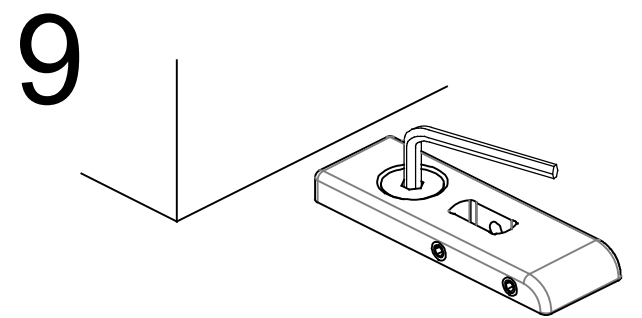
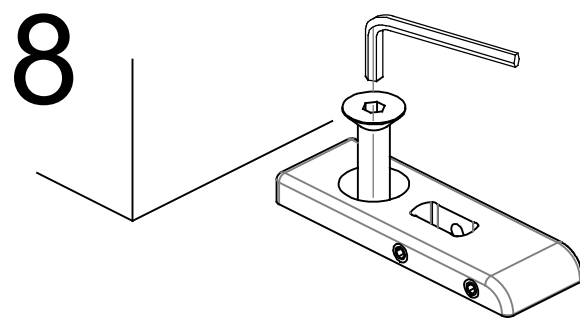
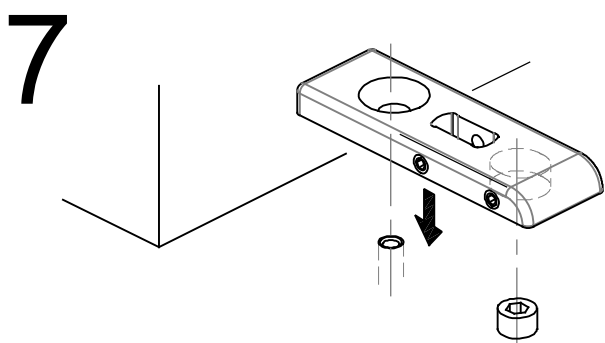
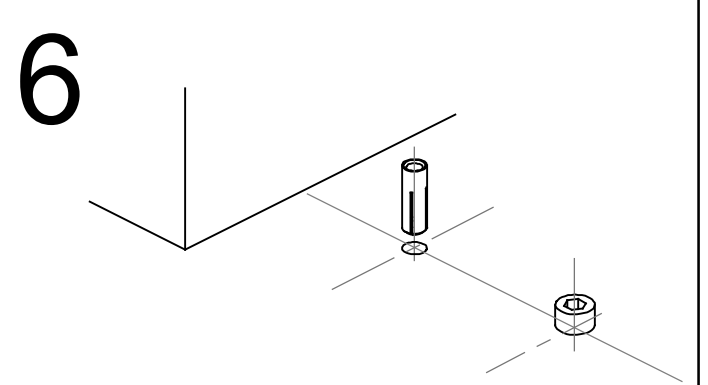
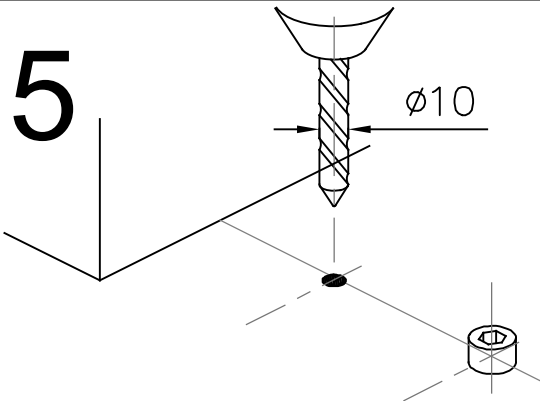
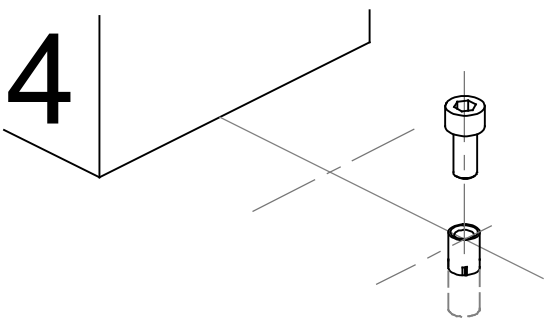
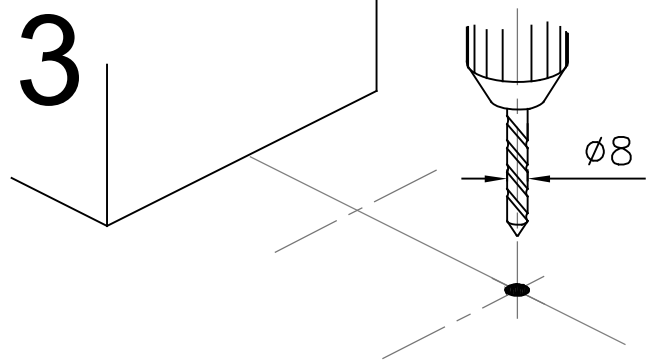
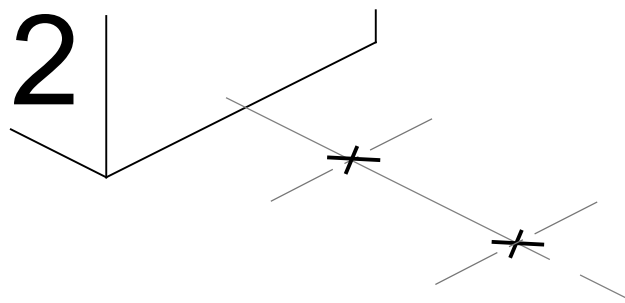
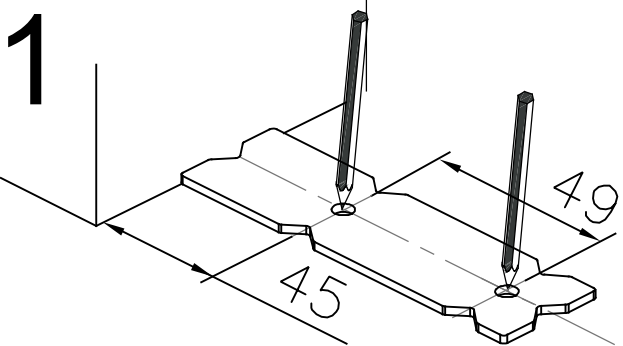
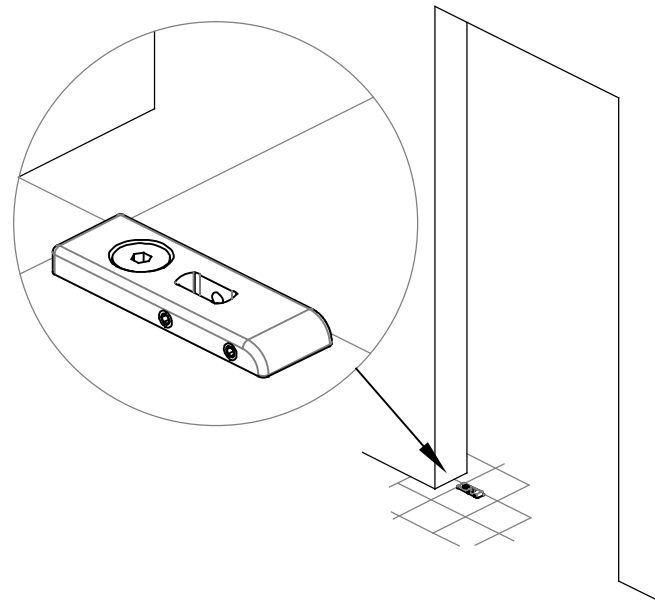
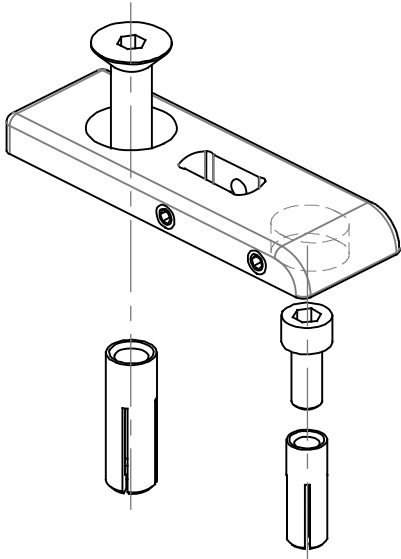


33 [1 5/16"] - 60 [2 3/8"]

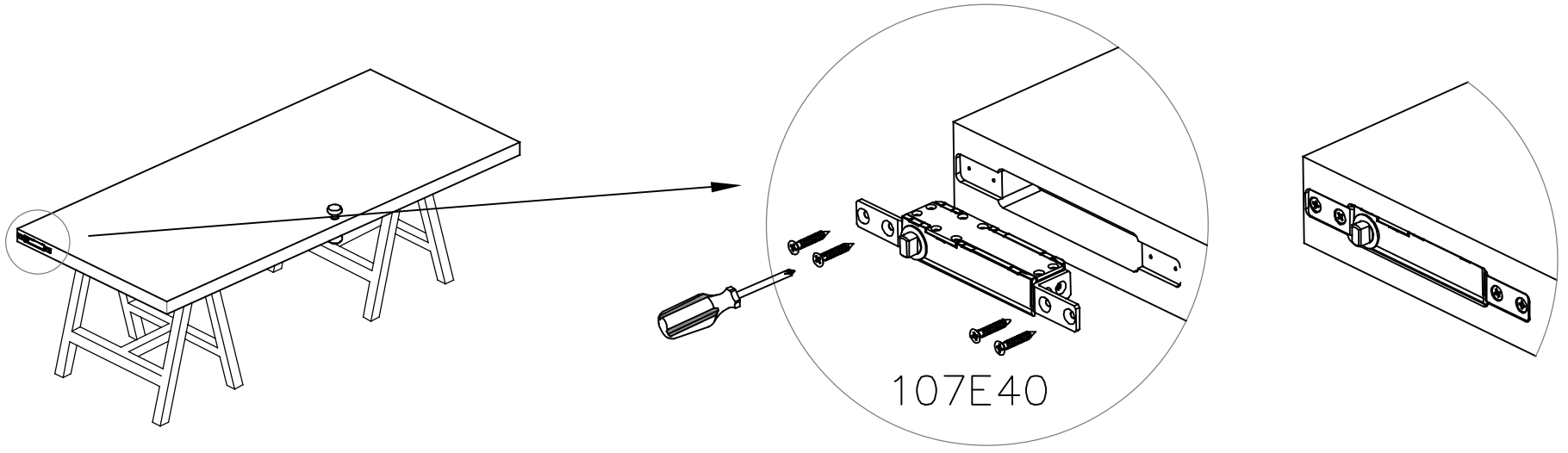
WOOD

FLOOR BASE PLATE

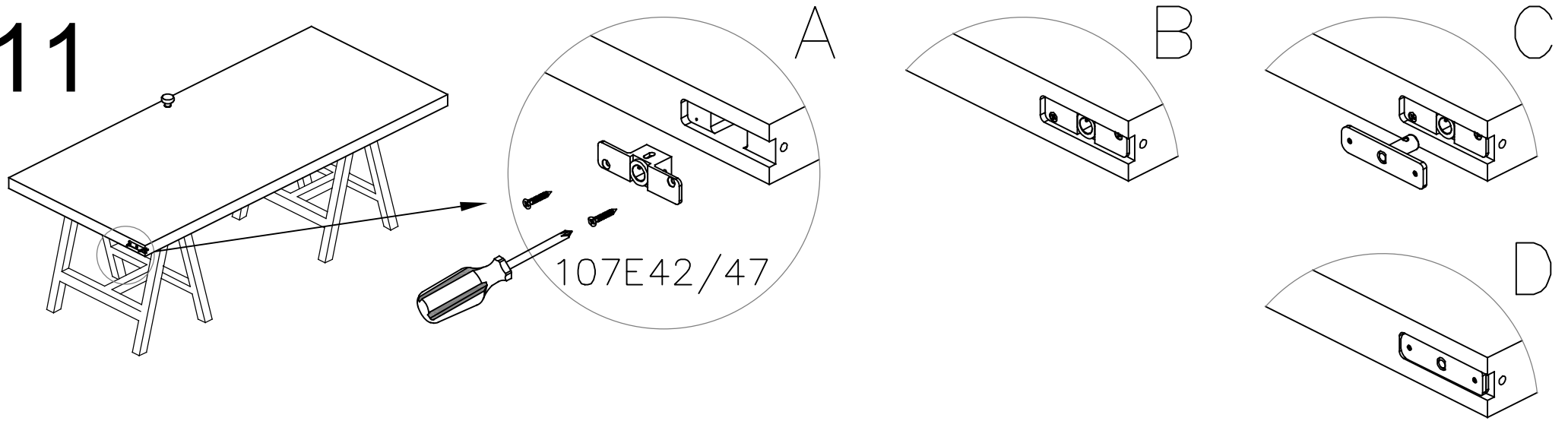
FLOOR BASE PLATE FIXING



10

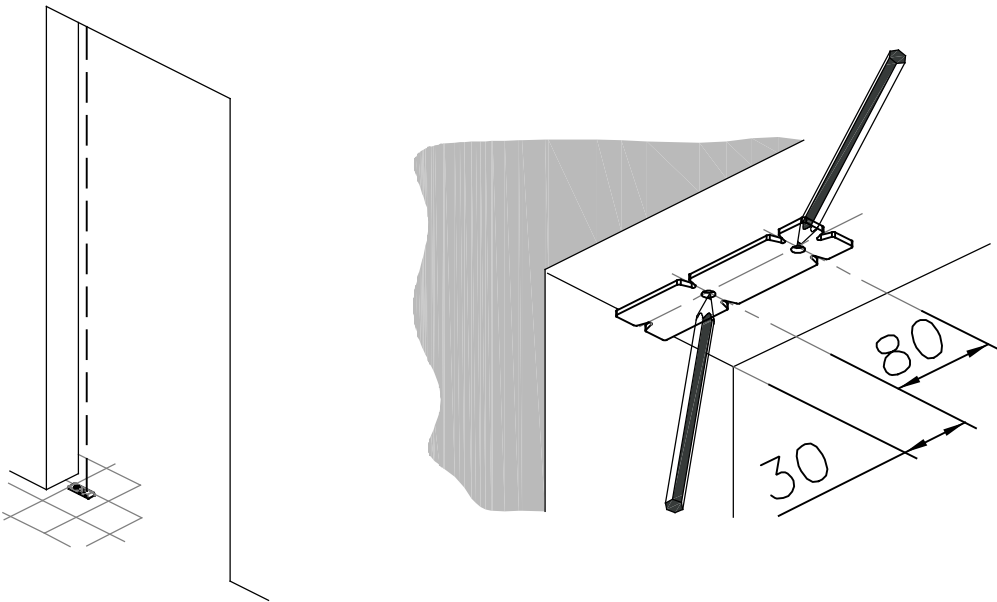


11

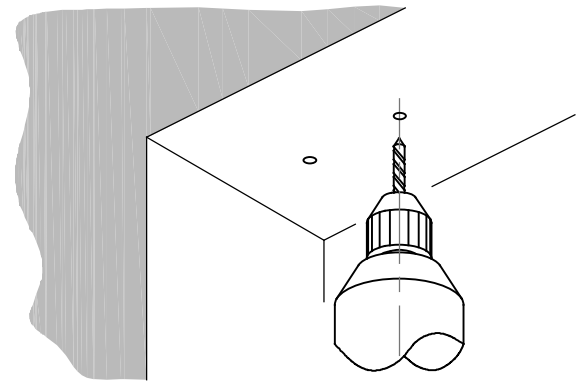


12

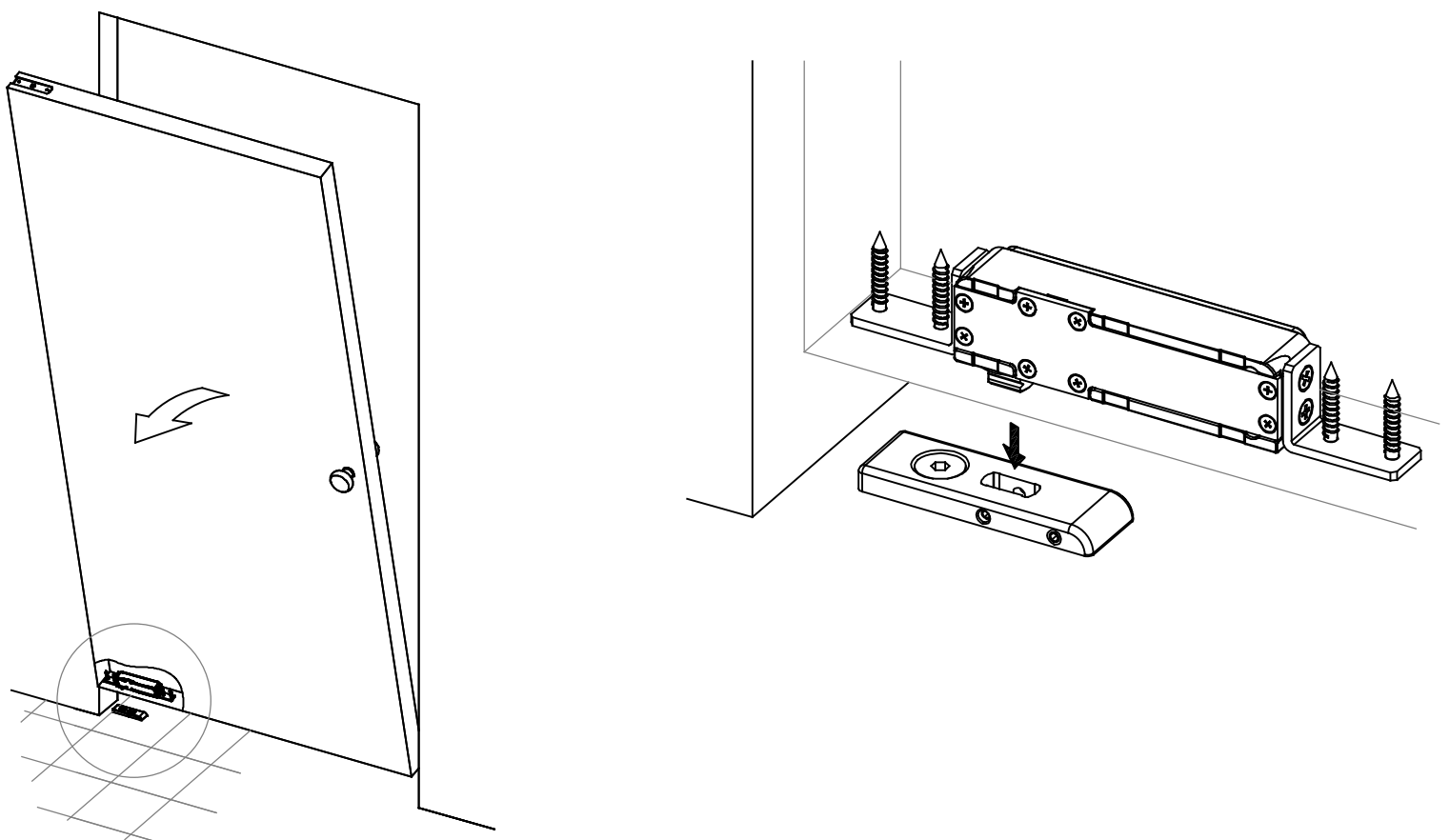
TOP HINGE FIXING



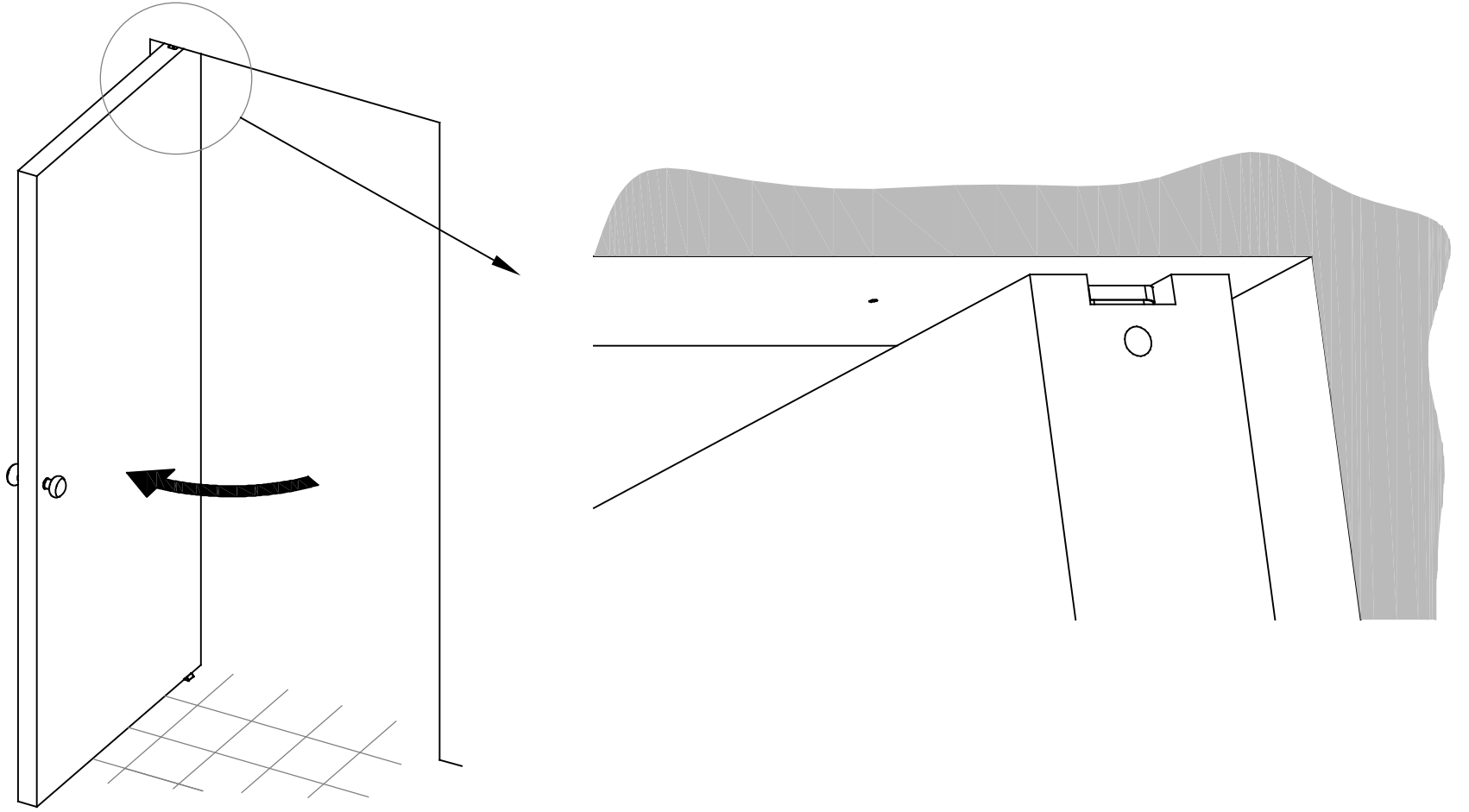
13



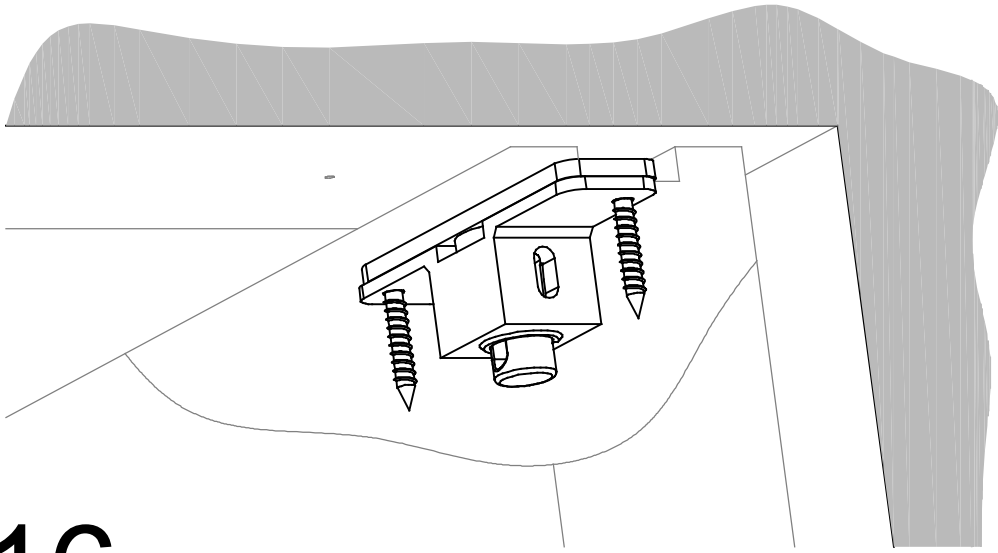
14



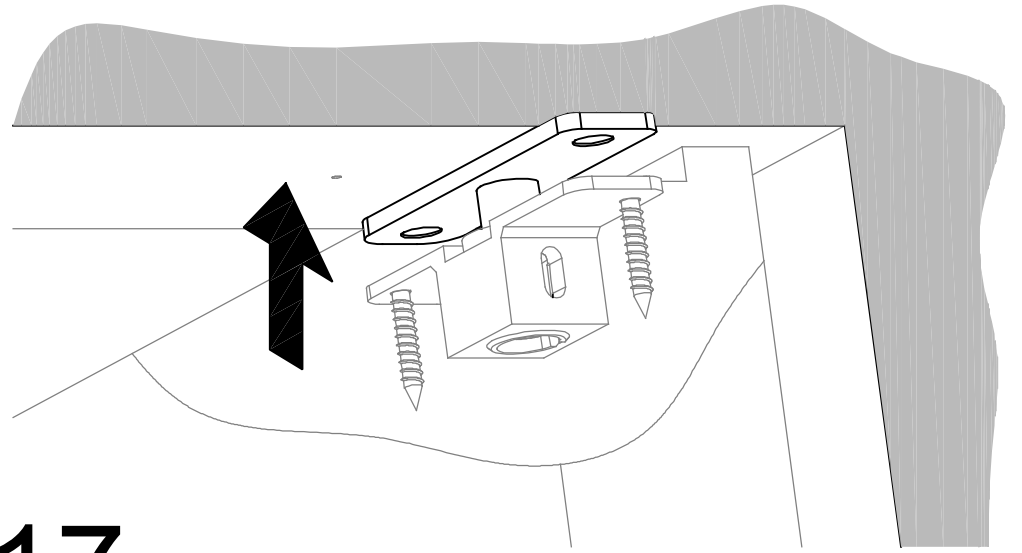
15



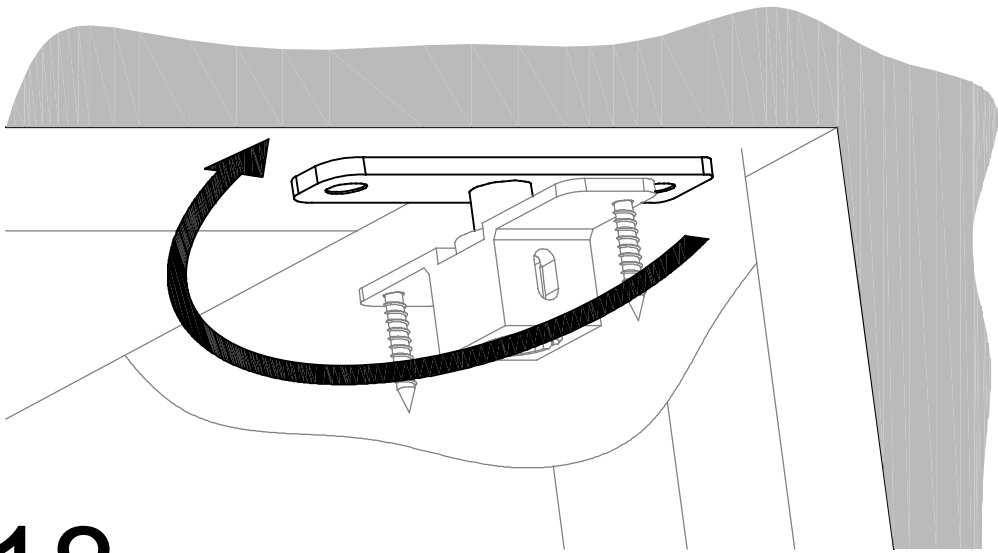
16



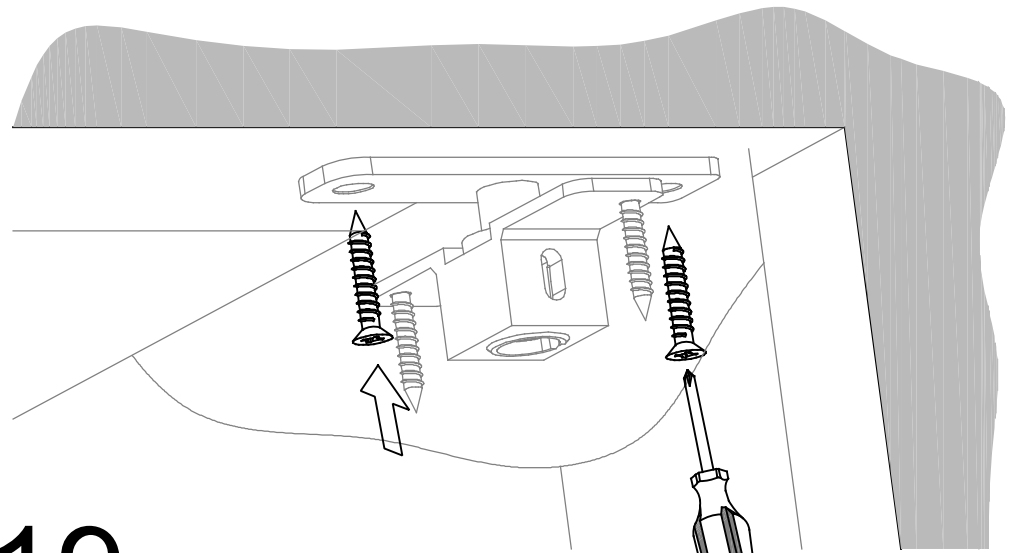
17



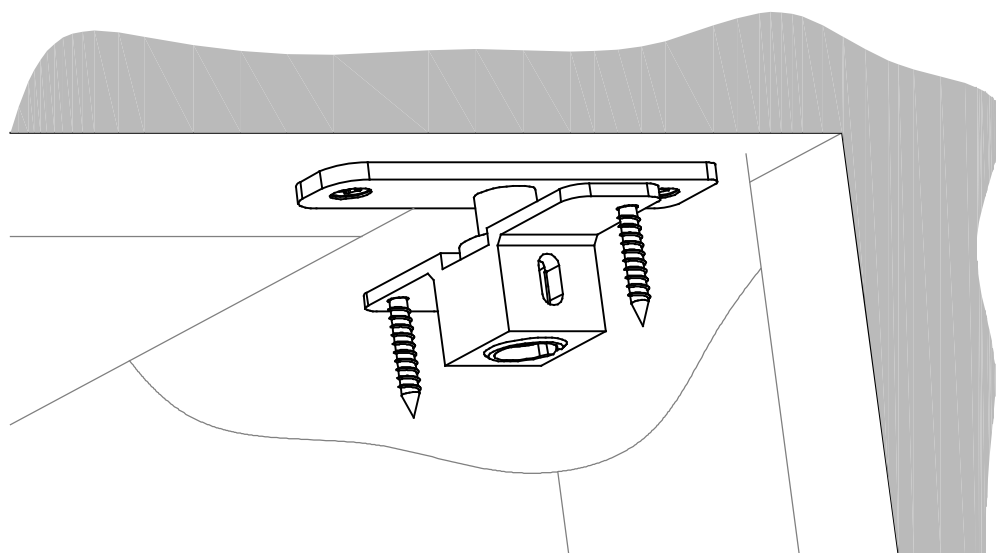
18



19

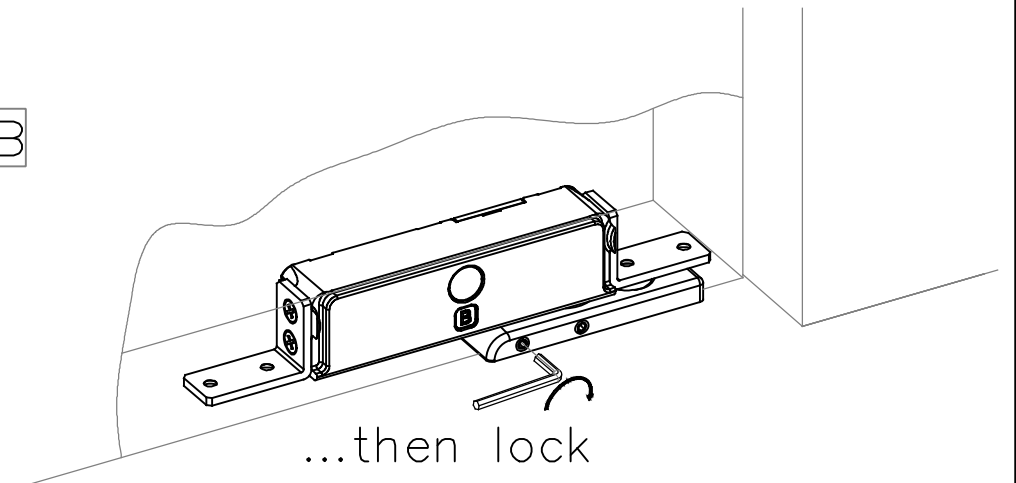
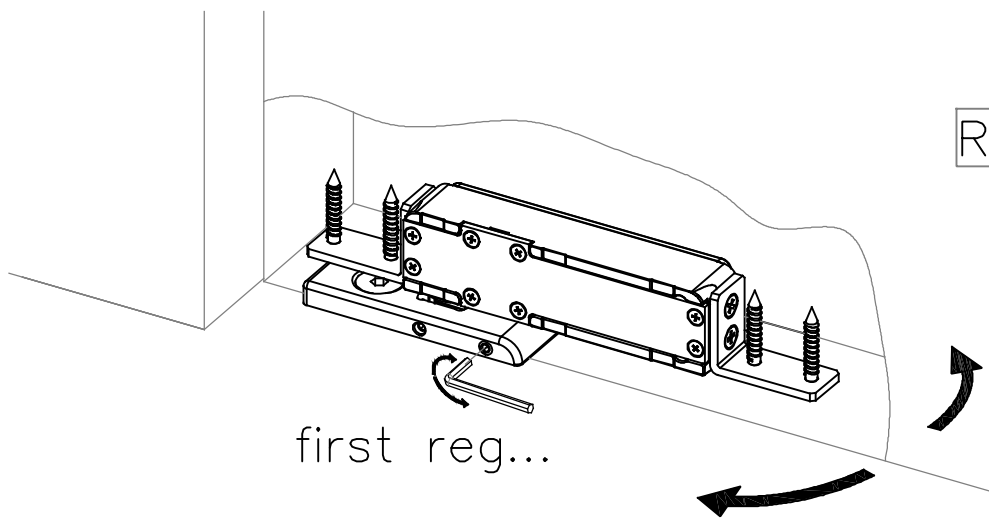
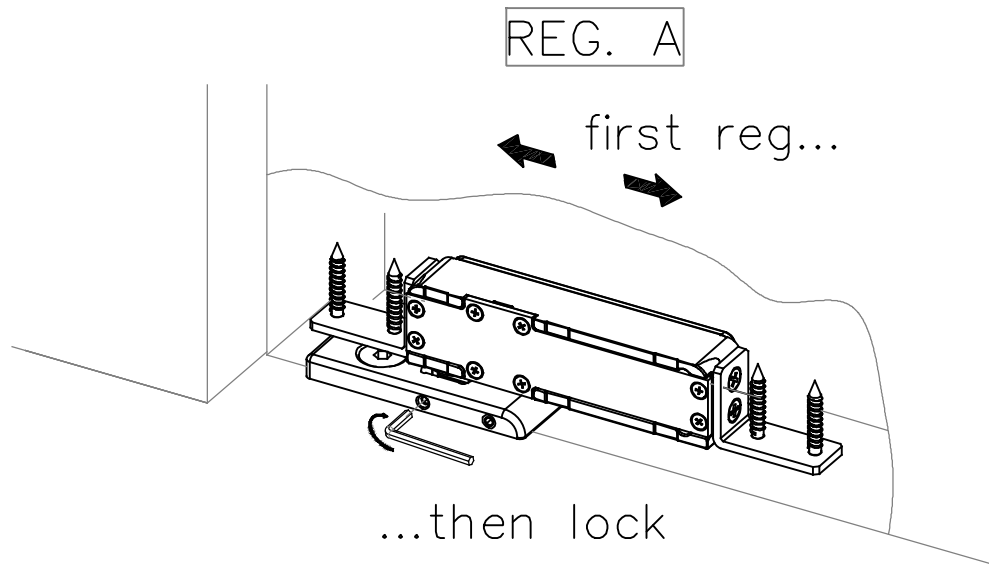
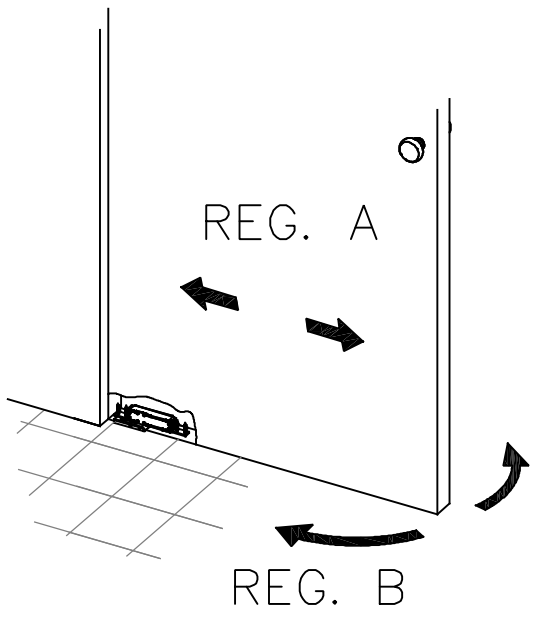


20



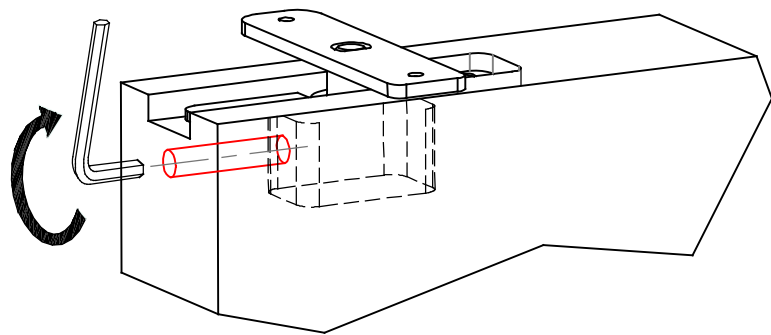
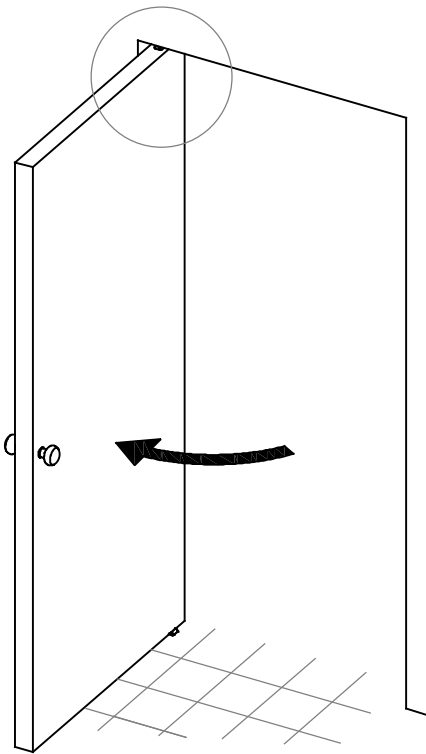
21

ADJUSTMENTS

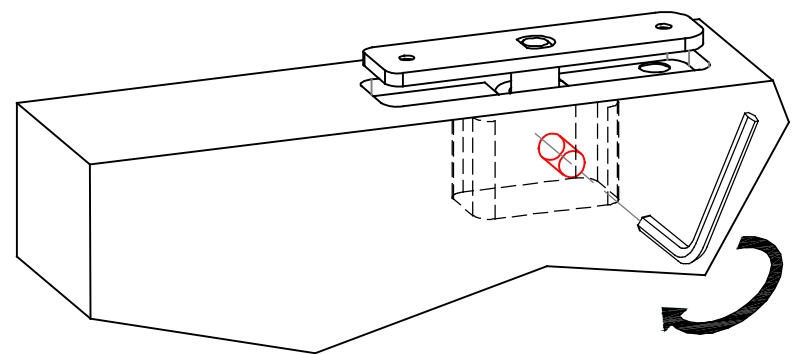
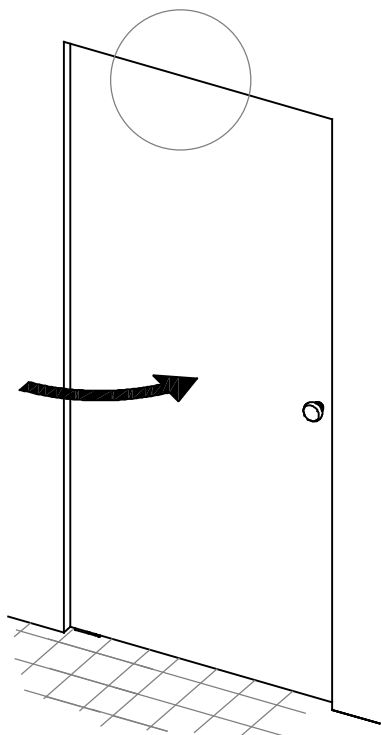


22

ADJUSTMENT VERSION THROUGH LATERAL HOLE



ADJUSTMENT VERSION THROUGH FRONT HOLE



Rotate to slow the closing speed

MAX TWO TURNS
MASSIMO 2 GIRI