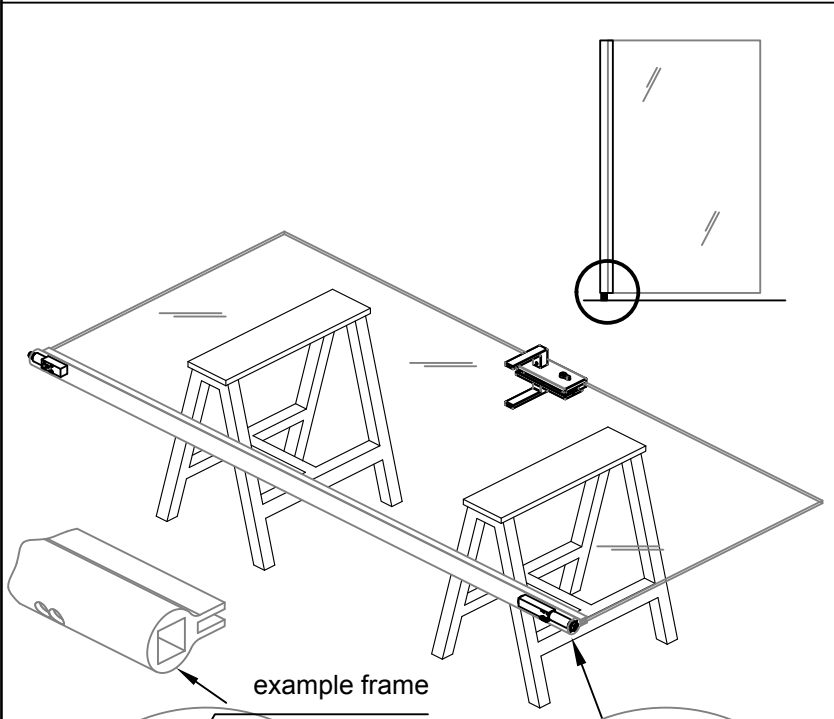


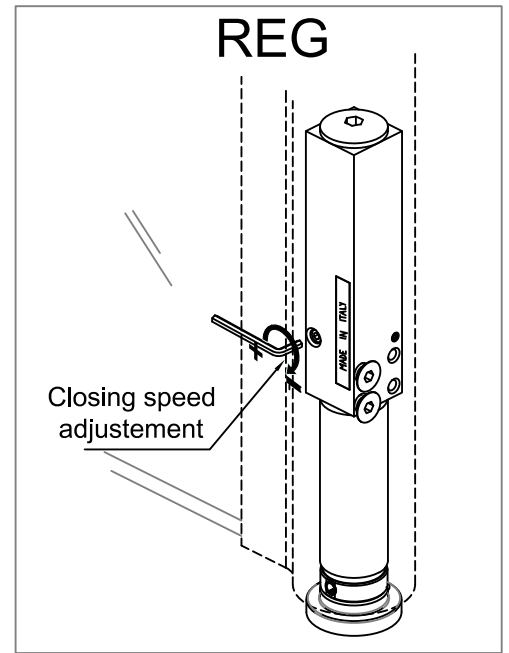
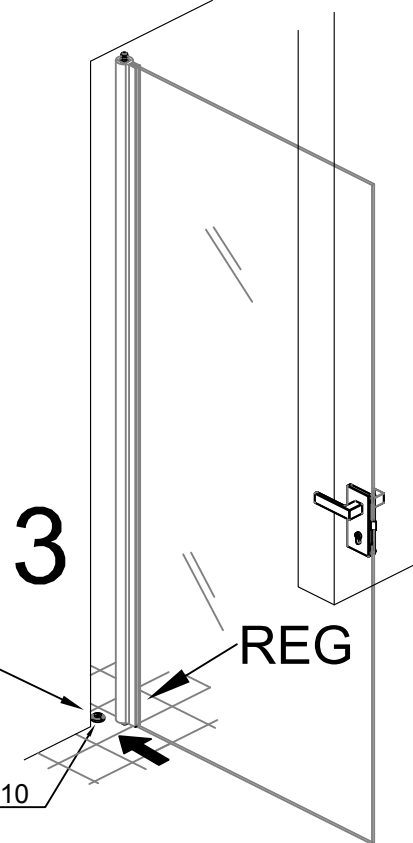
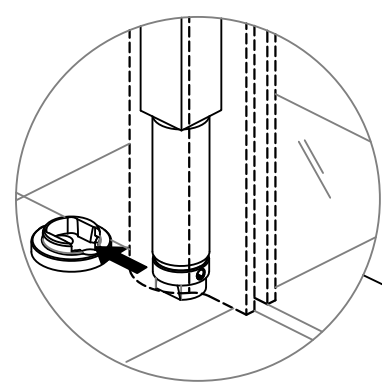
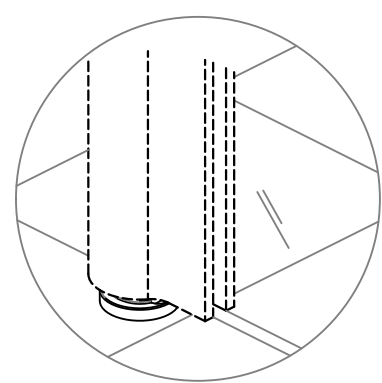
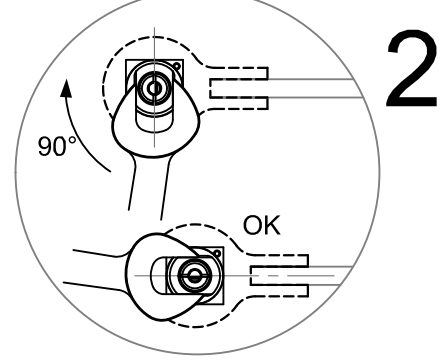
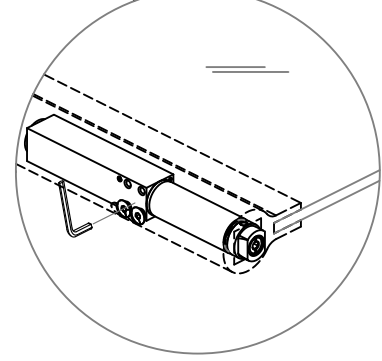
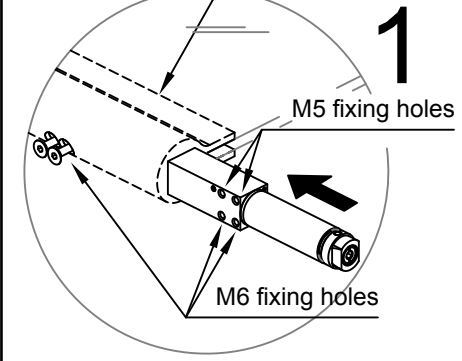
845E10

VELA

BOTTOM HINGE



Tools supplied	Tools required
	<ul style="list-style-type: none"> ch 2,5 ch 4
Not included	
BASE PLATE A845E10	
Fittings required	
Not included	



845E20

VELA

TOP HINGE

